



Dell™ Systems

Rack Installation Guide



Notes, Notices, and Cautions

 **NOTE:** A NOTE indicates important information that helps you make better use of your computer.

 **NOTICE:** A NOTICE indicates either potential damage to hardware or loss of data and tells you how to avoid the problem.

 **CAUTION:** A CAUTION indicates a potential for property damage, personal injury, or death.

Information in this document is subject to change without notice.
© 2001 Dell Computer Corporation. All rights reserved.

Reproduction in any manner whatsoever without the written permission of Dell Computer Corporation is strictly forbidden.

Trademarks used in this text: *Dell*, the *DELL* logo, *PowerEdge*, *VersaRails*, and *RapidRails* are trademarks of Dell Computer Corporation.

Other trademarks and trade names may be used in this document to refer to either the entities claiming the marks and names or their products. Dell Computer Corporation disclaims any proprietary interest in trademarks and trade names other than its own.

October 2001 P/N 7H850 Rev. A01

Contents

- Safety Instructions 1-1**
- Installation Instructions 1-2**
 - RapidRails Rack Kit Contents 1-2
 - VersaRails Rack Kit Contents 1-4
 - Non-Dell Rack Requirements 1-6
- Before You Begin 1-6**
 - Important Safety Information 1-6
 - Rack Stabilizer Feet 1-6
 - Recommended Tools and Supplies 1-7
 - Installation Tasks 1-7
- Removing the Rack Doors 1-7**
- Marking the Rack 1-8**
- Installing the RapidRails Slide Assemblies 1-11**
- Installing the VersaRails Slide Assemblies 1-13**
- Installing the Inner Rails 1-15**
- Installing the System in the Rack 1-16**
- Installing the Cable-Management Arm 1-18**
- Replacing the Rack Doors 1-20**

Index

Figures

Figure 1-1.	RapidRails Rack Kit Contents	1-3
Figure 1-2.	VersaRails Rack Kit Contents	1-5
Figure 1-3.	One Rack Unit	1-8
Figure 1-4.	Marking the Vertical Rails	1-10
Figure 1-5.	Installing the RapidRails Slide Assemblies	1-12
Figure 1-6.	Installing the VersaRails Slide Assemblies	1-14
Figure 1-7.	Installing the Inner Rails	1-15
Figure 1-8.	Installing the System in the Rack	1-17
Figure 1-9.	Installing the Cable-Management Arm	1-19


Safety Instructions


Use the following safety guidelines to ensure your own personal safety and to help protect your server, storage system, or appliance from potential damage. For complete safety, regulatory, and warranty information, refer to your *System Information* document.

Precautions for Rack-Mountable Products

Observe the following precautions for rack stability and safety. Also refer to the rack installation documentation accompanying the system and the rack for specific warning and/or caution statements and procedures.

Servers, storage systems, and appliances are considered to be components in a rack. Thus, "component" refers to any server, storage system, or appliance, as well as to various peripherals or supporting hardware.

 **CAUTION: Installing system components in a rack without the front and side stabilizers installed could cause the rack to tip over, potentially resulting in bodily injury under certain circumstances. Therefore, always install the stabilizers before installing components in the rack.**

 **CAUTION: After installing system/components in a rack, never pull more than one component out of the rack on its slide assemblies at one time. The weight of more than one extended component could cause the rack to tip over and injure someone.**



NOTE: Your Dell™ system is safety-certified as a free-standing unit and as a component for use in a Dell rack cabinet using the Dell customer rack kit. The installation of your system and rack kit in any non-Dell rack cabinet has not been approved by any safety agencies. It is your responsibility to have the final combination of system and rack kit in a non-Dell rack cabinet evaluated for suitability by a certified safety agency. Dell disclaims all liability and warranties in connection with such combinations.

- System rack kits are intended to be installed in a rack by trained service technicians. If you install the kit in any other rack, be sure that the rack meets the specifications of a Dell rack.
- Do not move large racks by yourself. Due to the height and weight of the rack, It is recommended that a minimum of two people perform this task.
- Before working on the rack, make sure that the stabilizers are secured to the rack, extend to the floor, and that the full weight of the rack rests on the floor. Install front and side stabilizers on a single rack or front stabilizers for joined multiple racks before working on the rack.


- Always load the rack from the bottom up, and load the heaviest item in the rack first.
- Make sure that the rack is level and stable before extending a component from the rack.
- Use caution when pressing the component rail release latches and sliding a component into or out of a rack; the slide rails can pinch your fingers.
- After a component is inserted into the rack, carefully extend the rail into a locking position, and then slide the component into the rack.
- Do not overload the AC supply branch circuit that provides power to the rack. The total rack load should not exceed 80 percent of the branch circuit rating.
- Ensure that proper airflow is provided to components in the rack.

Do not step on or stand on any system/component when servicing other systems/components in a rack.

Installation Instructions

This installation guide provides instructions for trained service technicians installing one or more systems in a Dell rack cabinet or in a rack cabinet not manufactured by Dell. The RapidRails™ rack kit can be installed in all Dell rack cabinets and the VersaRails™ rack kit can be installed in most industry-standard rack cabinets. The procedures for installing both RapidRails and VersaRails rack kits are similar. One rack kit is required for each system to be installed in the rack cabinet.

Before attempting this installation, you should read through this entire document carefully.

 **CAUTION: Do not install rack kit components designed for another system. Use only the rack kit for your system. Using the rack kit for another system may result in damage to the system and personal injury to yourself and to others.**

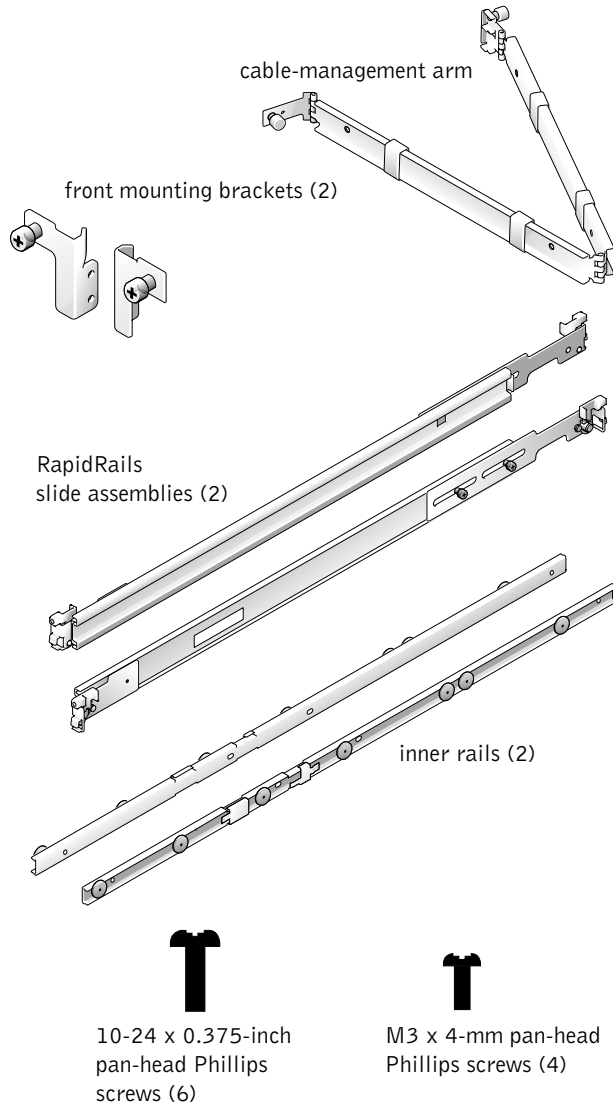
RapidRails Rack Kit Contents

The RapidRails rack kit includes the following items (see Figure 1-1):

- One pair of RapidRails slide assemblies
- One pair of front mounting brackets
- One cable-management arm
- Six 10-24 x 0.375-inch pan-head Phillips screws
- Four M3 x 4-millimeter (mm) pan-head Phillips screws

NOTE: The nonmetric screws described in illustrations and in procedural steps are identified by size and number of threads-per-inch. For example, a #10 Phillips-head screw with 32 threads per inch is identified as a 10-32 screw.

Figure 1-1. RapidRails Rack Kit Contents



VersaRails Rack Kit Contents

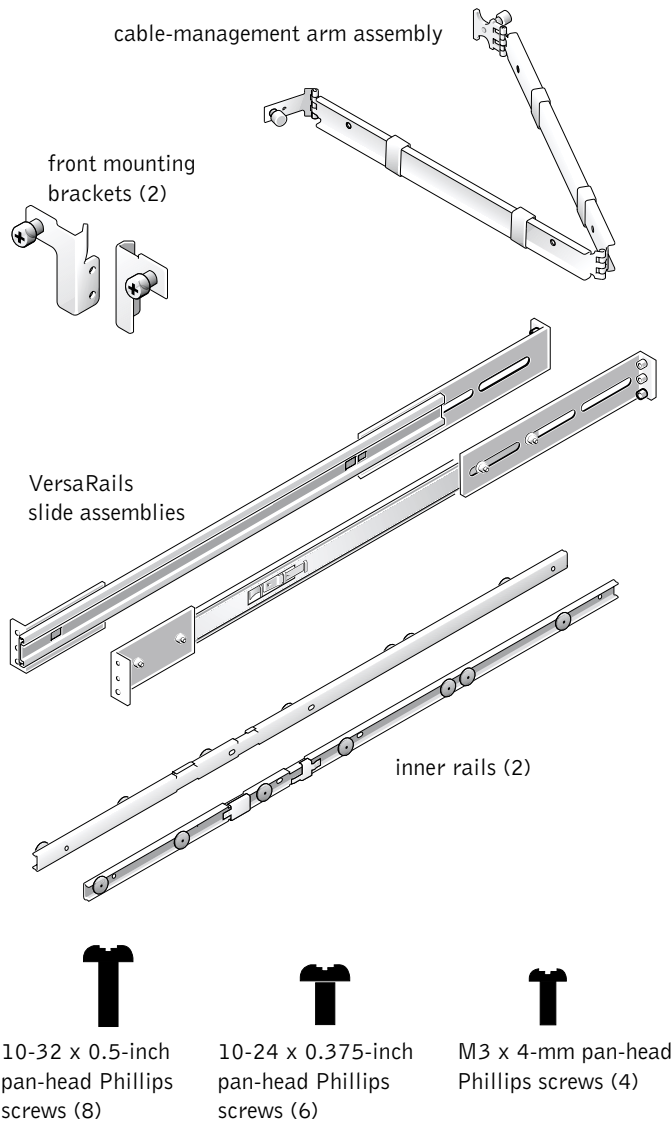
The VersaRails rack kit includes the following items (see Figure 1-2):

- One pair of VersaRails slide assemblies
- One pair of front mounting brackets
- One cable-management arm
- Eight 10-32 x 0.5-inch Phillips screws
- Six 10-24 x 0.375-inch pan-head Phillips screws
- Four M3 x 4-mm pan-head Phillips screws




NOTE: The nonmetric screws described in illustrations and in procedural steps are identified by size and number of threads-per-inch. For example, a #10 Phillips-head screw with 32 threads per inch is identified as a 10-32 screw.

Figure 1-2. VersaRails Rack Kit Contents




Non-Dell Rack Requirements

-  **NOTICE:** This VersaRails rack kit is intended to be installed by trained service technicians in a rack that meets the specifications of American National Standards Institute (ANSI)/Electronic Industries Association (EIA) standard ANSI/EIA-310-D-92, International Electrotechnical Commission (IEC) 297, and Deutsche Industrie Norm (DIN) 41494. One rack kit is required for each system that is installed in a rack.

Before You Begin


Before you begin installing your system in the rack, carefully read "Safety Instructions," found earlier in this guide, as well as the safety instructions found in your system's *System Information* document for additional information.

-  **CAUTION:** When installing multiple systems in a rack, complete all of the procedures for the current system before attempting to install the next system.


-  **NOTE:** For instructions on installing the system itself, see "Installing a System in the Rack."


Important Safety Information

Observe the safety precautions in the following subsections when installing your system in the rack.

-  **CAUTION:** You must strictly follow the procedures in this document to protect yourself as well as others who may be involved. Your system may be large and heavy and proper preparation and planning are important to prevent injury to yourself and to others. This becomes increasingly important when systems are installed high up in the rack.

Rack Stabilizer Feet

-  **CAUTION:** Installing systems in a rack without the front and side stabilizer feet installed and anchored to the floor could cause the rack to tip over, potentially resulting in bodily injury under certain circumstances. Therefore, always install and anchor the stabilizer feet before installing components in the rack.

-  **CAUTION:** After installing systems in a rack, never pull more than one system out of the rack on its slide assemblies at one time. The weight of more than one extended system could cause the rack to tip over and cause injury.

The stabilizer feet help prevent the rack from tipping over when a system or other component is pulled out of the rack with the slide assemblies fully extended. Refer to the documentation provided with the rack cabinet for instructions on installing and anchoring the stabilizer feet.

Recommended Tools and Supplies

You need the following tools and supplies to install the system in a four-post rack cabinet:

- A #2 Phillips screwdriver
- Masking tape or a felt-tip pen, for use in marking the mounting holes to be used

Installation Tasks

Installing a rack kit involves the following tasks:

- 1 Removing the rack doors
- 2 Marking the rack
- 3 Installing the slide assemblies in the rack
- 4 Installing the inner rails
- 5 Installing the system in the rack
- 6 Installing the cable-management arm
- 7 Replacing the rack doors



NOTE: The procedures that follow apply to both Dell rack cabinets and rack cabinets not manufactured by Dell unless identified as specific to one or the other.

Removing the Rack Doors

See the procedures for removing doors in the documentation provided with your Dell 24-U or 42-U rack cabinet. If you have a rack cabinet not manufactured by Dell, refer to the manufacturers documentation for removing the doors.



CAUTION: Because of the size and weight of the rack cabinet doors, never attempt to remove or install them by yourself.



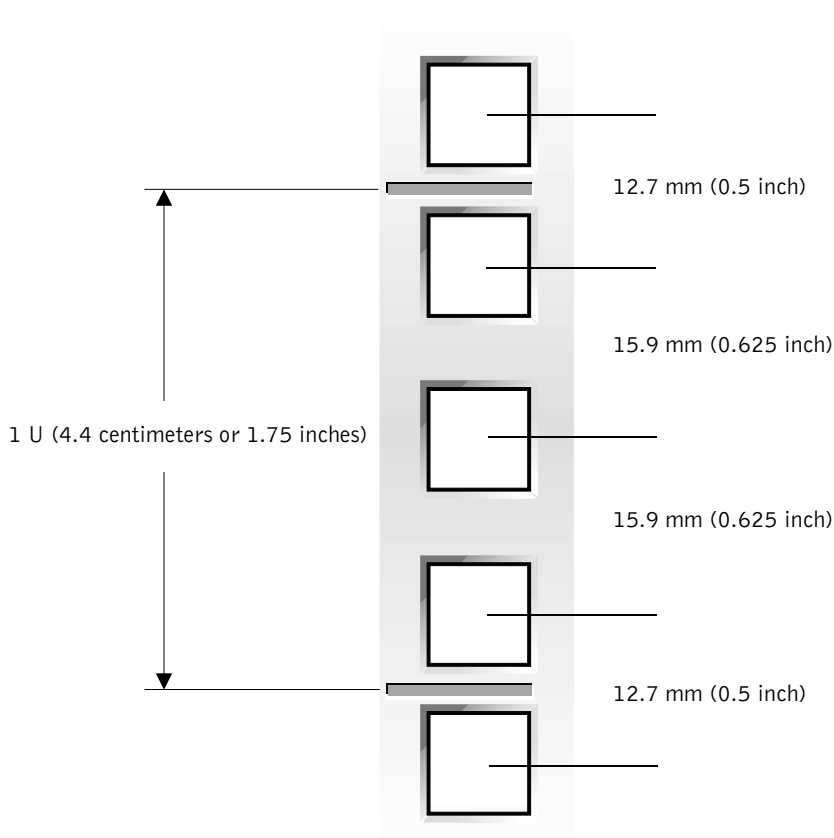
CAUTION: Store the two doors where they will not injure someone if the doors accidentally fall over.

Marking the Rack


You must allow 1 U (4.4 centimeters, or 1.75 inches) of vertical space for each system you install in the rack. Dell rack cabinets and rack cabinets that meet EIA-310 standards have an alternating pattern of three holes per rack unit with center-to-center hole spacing (beginning at the top hole of a 1-U space) of 15.9 mm, 15.9 mm, and 12.7 mm (0.625 inch, 0.625 inch, and 0.5 inch) for the front and rear vertical rails (see Figure 1-3). Rack cabinets not manufactured by Dell may have round or square holes.

NOTE: If you have a Dell PowerEdge™ 4210 rack cabinet, the vertical rails are marked by horizontal lines and numbers in 1-U increments. If you wish, you can make a note of the number marking on the rack's vertical rail. It is not necessary to mark or place tape on the rack. If you choose this method, skip ahead to the procedure "Installing RapidRails Slide Assemblies."

Figure 1-3. One Rack Unit



For more information about requirements for installing components in a rack, see the Dell Rack Advisor software available on the Dell website at <http://support.dell.com>.

 **CAUTION: If you are installing more than one system, install the slide assemblies so that the first system is installed in the lowest available position in the rack.**

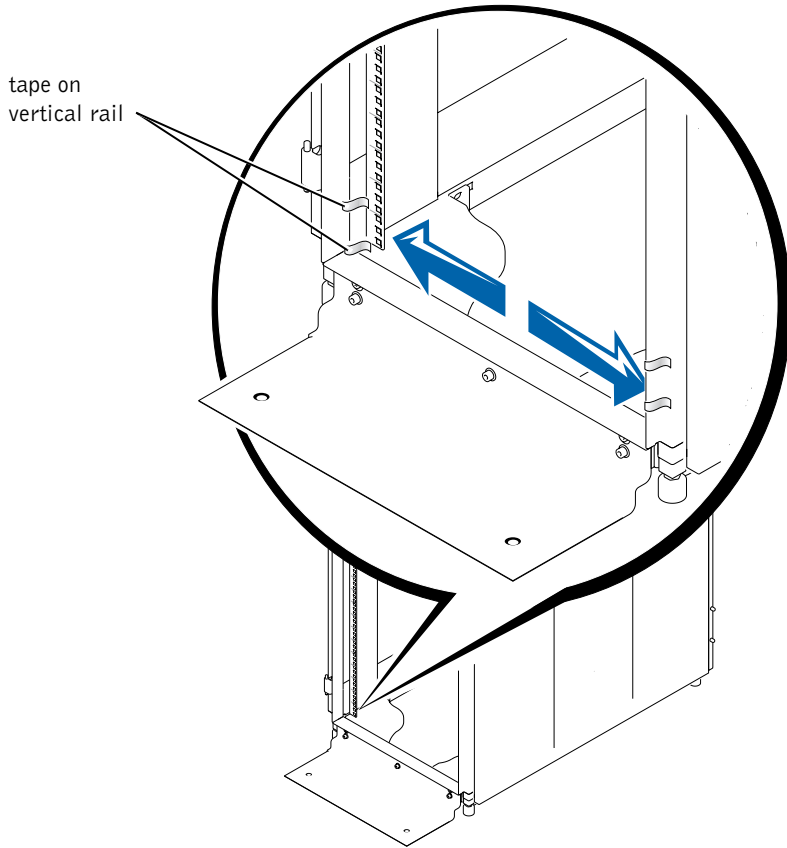
To mark the rack, perform the following steps:

- 1 Place a mark on the rack's front vertical rails where you want to locate the bottom of the system you are installing in the rack cabinet.


The bottom of each 1-U space is at the middle of the narrowest metal area between holes (marked with a horizontal line on some rack cabinets—see Figure 1-3).

- 2 Place a mark 4.4 centimeters (1.75 inches) above the original mark you made (or count up three holes in a rack that meets EIA-310 standards) and mark the rack's front vertical rails with a felt-tipped marker or masking tape (if you counted holes, place a mark just above the top hole). This mark or piece of tape indicates where the system's upper edge will be located on the vertical rails (see Figure 1-4).

Figure 1-4. Marking the Vertical Rails



Installing the RapidRails Slide Assemblies

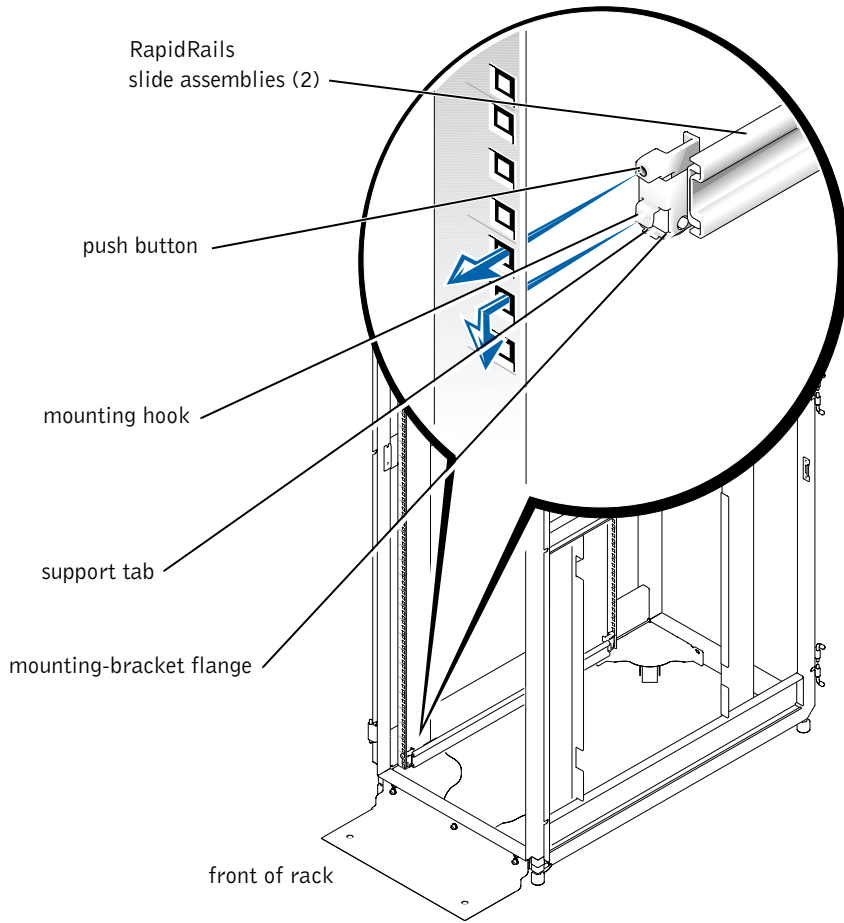
 **NOTE:** If the inner rails are installed in their slide assemblies, remove them before performing this procedure.

- 1 At the front of the rack cabinet, position one of the RapidRails slide assemblies so that its mounting-bracket flange fits between the marks or tape you placed on the rack (see Figure 1-4).


The mounting hook in the center of the slide assembly's mounting bracket flange should enter the center hole between the marks you made on the vertical rails.

- 2 Push the slide assembly forward until the mounting hook enters its respective square hole on the vertical rail, and then push down on the mounting-bracket flange until the mounting hooks seat in the square holes and the blue push button pops out and clicks.
- 3 At the back of the cabinet, pull back on the mounting-bracket flange until the mounting hooks are located in their respective square holes, and then push down on the mounting-bracket flange until the mounting hooks seat in the square holes and the blue push button pops out and clicks.
- 4 Repeat steps 1 through 3 for the remaining slide assembly on the other side of the rack.
- 5 Ensure that the rails are mounted at the same position on the vertical rails on each side of the rack.

Figure 1-5. Installing the RapidRails Slide Assemblies



Installing the VersaRails Slide Assemblies

 **NOTE:** If the inner rails are installed in their slide assemblies, remove them before performing this procedure.

- 1 At the front of the rack cabinet, position one of the VersaRails slide assemblies so that its mounting-bracket flange fits between the marks or tape (or numbered location) on the rack (see Figure 1-4).

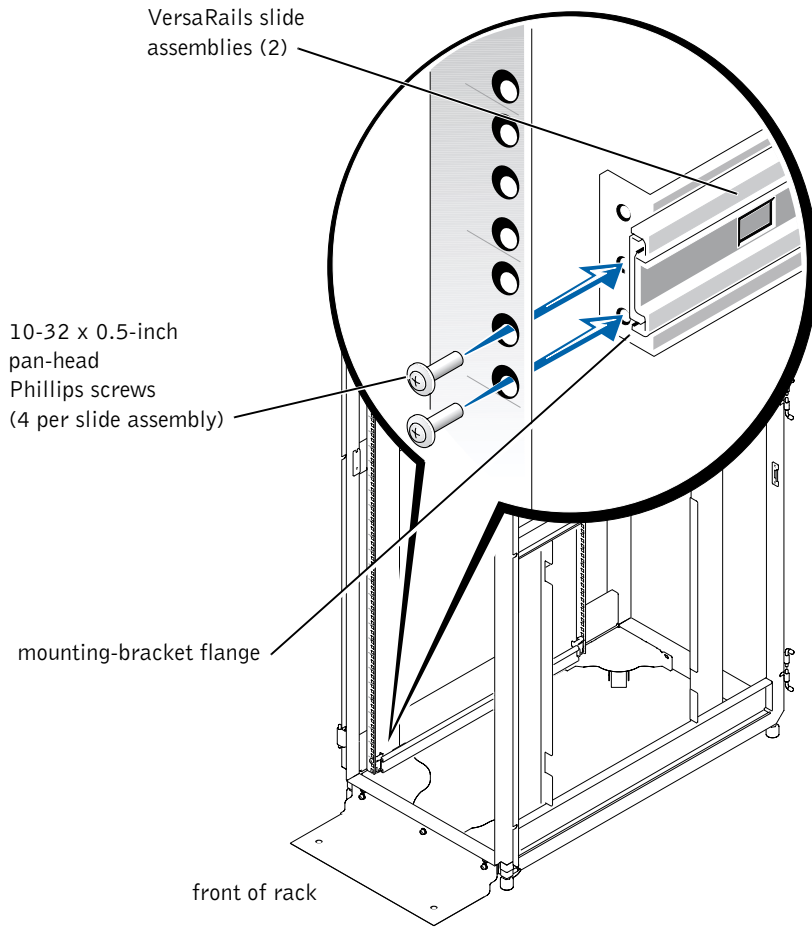
The three holes on the front of the mounting bracket should align with the three holes between the marks you made on the vertical rails (or the three holes in the numbered location you selected).

- 2 Install two 10-32 x 0.5-inch pan-head Phillips screws in the mounting flange's middle and bottom holes to secure the slide assembly to the front vertical rail (see Figure 1-6)
- 3 At the back of the cabinet, pull back on the mounting-bracket flange until the mounting holes align with their respective holes on the back vertical rail.
- 4 If the rack has square holes, install two 10-32 x 0.5-inch pan-head Phillips screws in the mounting flange's middle and bottom holes to secure the slide assembly to the back vertical rail.

If the rack has round holes, install one 10-32 x 0.5-inch pan-head Phillips screw in the mounting flange's middle hole to secure the slide assembly to the back vertical rail.

- 5 Repeat steps 1 through 4 for the remaining slide assembly on the other side of the rack.
- 6 Ensure that the rails are mounted at the same position on the vertical rails on each side of the rack.

Figure 1-6. Installing the VersaRails Slide Assemblies



Installing the Inner Rails

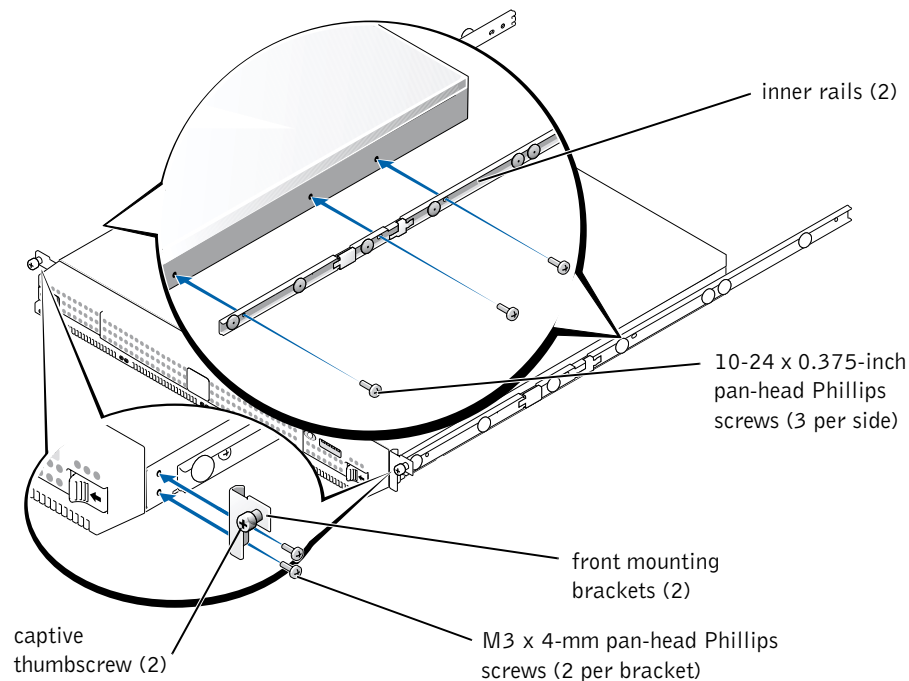
To install the inner rails to the sides of the system, perform the following steps.

⚠ CAUTION: The system may be heavy when fully loaded. To prevent personal injury, do not attempt to move the system by yourself.


- 1 Position the inner rail on the side of the system chassis (see Figure 1-7).
- 2 Secure each inner rail to the side of the chassis with three 10-24 x 0.375-inch pan-head Phillips screws (see Figure 1-7).
- 3 Secure each front mounting bracket to the front-left and front-right sides of the chassis using two M3 x 4-millimeter pan-head Phillips screws (see Figure 1-7).

Each front mounting bracket is stamped with **L** (for left) or **R** (for right) to indicate on which side of the chassis (as viewed from the front) you are to install each bracket.

Figure 1-7. Installing the Inner Rails




Installing the System in the Rack

 **CAUTION:** If you are installing more than one system, install the first system in the lowest available position in the rack.

 **CAUTION:** Never pull more than one component out of the rack at a time.

1 Pull the two slide assemblies out of the rack until they lock in the extended position.

 **CAUTION:** Because of the size and weight of the system, never attempt to install the system in the slide assemblies by yourself.

2 Lift the system into position in front of the extended slides.

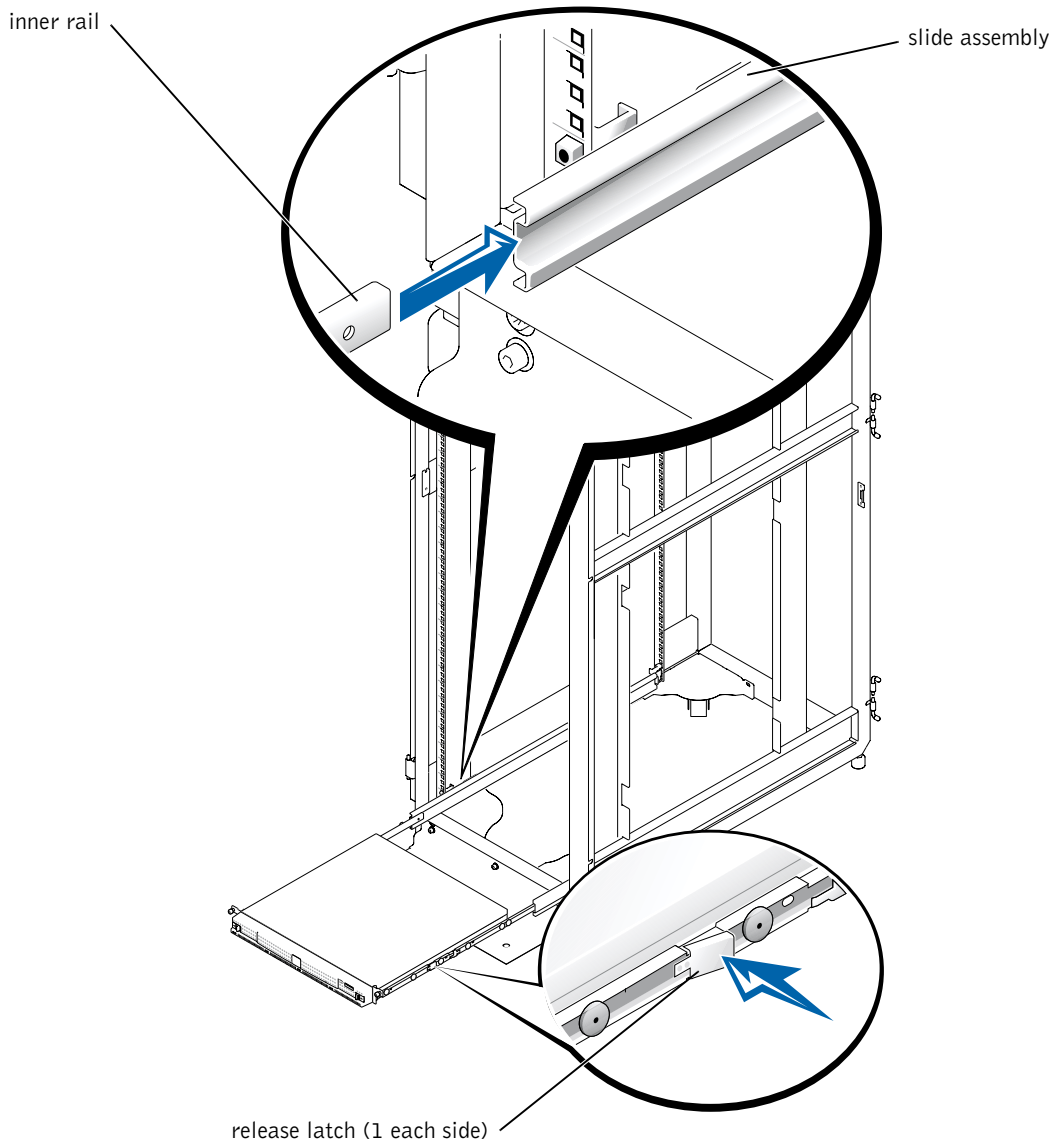
3 Align the inner rails you installed on the sides of the system with the open portion of the slide assemblies (see Figure 1-8).

4 Push the system into the slide assemblies until the system stops (see Figure 1-8).

5 Press in on the release latch on each extended slide and push the chassis into the rack (see Figure 1-8).

6 Push in and turn the captive thumbscrews on each side of the front chassis panel to secure the system to the rack.

Figure 1-8. Installing the System in the Rack



Installing the Cable-Management Arm

To install the cable-management arm on the back of the system, perform the following steps:

- 1 Facing the back of the rack cabinet, locate the vacant threaded hole(s) on the right side vertical rail where you installed the slide assembly.
- 2 If you are installing the RapidRails kit, install the cable-management arm with the thumbscrew at the top of the bracket (see Figure 1-9).

If you are installing the VersaRails kit, install the cable-management arm with the thumbscrew in the middle of the bracket (see Figure 1-9).

- 3 Using the thumbscrew on the bracket, secure the bracket to the back surface of the right vertical rail at the place where the slide assembly is attached.

The thumbscrew will install in holes not used when you installed the slide assemblies.

- 4 Align the free end of the cable-management arm (the end with the pin and captive thumbscrew) to the back of the right-side inner rail (as viewed from the back of the system).
- 5 Secure the cable-management arm to the inner rail with the captive thumbscrew (see Figure 1-9).
- 6 Attach the input/output (I/O) cables to their respective connectors on the system's back panel.
- 7 Connect the remaining cables to the system.

For details, see your system's *Installation and Troubleshooting Guide* and *User's Guide*.

- 8 Secure the cables to the cable-management arm:
 - a After connecting the cables to the system, unscrew the thumbscrews that secure the front of the system to the front vertical rail.
 - b Slide the system out to the fully extended position.
 - c Route the cables along the cable-management arm, allowing some additional cable slack at the hinge positions, and secure the cables to the cable-management arm with the Velcro straps attached to the cable-management arm.
- 9 Slide the system in and out of the rack to verify that the cables are routed correctly and do not bind, stretch, or pinch with the movement of the cable-management arm.

Figure 1-9. Installing the Cable-Management Arm


RapidRails kit:
bracket for rail with
square holes
(thumbscrew at top)

VersaRails kit:
bracket for rail with
round or square holes
(thumbscrew at center)

inner rail


pin

thumbscrew

 **NOTE:** As you pull the system out to its farthest extension, the slide assemblies will lock in the extended position. To push the system back into the rack, press the release latches on the sides of the slides (see Figure 1-8) to release the locks, and then slide the system completely into the rack.

Replacing the Rack Doors

Refer to the procedures for replacing doors in the documentation provided with your Dell 24-U or 42-U rack cabinets. If you have a rack cabinet not manufactured by Dell, refer to the manufacturers documentation for replacing doors.

 **CAUTION: Because of the size and weight of the rack cabinet doors, never attempt to remove or install them by yourself.**

This completes the rack installation of your system.

Index

C

- cable-management arm, 1-18
 - installing, 1-18
 - routing cables, 1-18
- components illustrated
 - RapidRails kit, 1-3
 - VersaRails kit, 1-5
- contents listed
 - RapidRails kit, 1-2
 - VersaRails kit, 1-4
- contents of RapidRails kit, 1-2
- contents of VersaRails kit, 1-4

D

- Dell website, 1-9
- doors
 - removing, 1-7
 - replacing, 1-20

I

- installing in rack
 - cable-management arm, 1-18
 - system, 1-15, 1-16, 1-17

K

- kit contents
 - RapidRails, 1-2
 - VersaRails, 1-5

M

- marking the rack, 1-8

N

- non-Dell rack
 - requirements, 1-6

R

- rack stabilizer feet, 1-6
- rack unit, 1-8
- rack-mount precautions, 1-6
- RapidRails kit contents, 1-2
- routing cables, 1-18

S

- safety instructions, 1-1
- system
 - installing in rack, 1-15

T

- tools and supplies, 1-7

V

- VersaRails
 - kit contents, 1-4, 1-5
 - non-Dell rack
 - requirements, 1-6
- vertical rails
 - marking, 1-8
 - one rack unit, 1-8

Systèmes Dell™

Guide d'installation du rack



Remarques, mises en garde et avertissements



REMARQUE : UNE REMARQUE indique une information importante destinée à vous aider à mieux utiliser votre ordinateur.



MISE EN GARDE : UNE MISE EN GARDE indique un dommage potentiel pouvant survenir (ou une perte de données) et vous dit comment éviter le problème.



ATTENTION : Le message **ATTENTION** indique une situation potentiellement dangereuse qui, si elle n'est pas évitée, peut provoquer une blessure mineure ou modérée.

Les informations fournies dans ce guide sont susceptibles d'être modifiées sans préavis.

© 2001 Dell Computer Corporation. Tous droits réservés

La reproduction de ce document de quelque manière que ce soit sans l'autorisation écrite de Dell Computer Corporation est strictement interdite.

Marques déposées utilisées dans ce guide : *Dell*, le logo *DELL*, *PowerEdge*, *VersaRails* et *RapidRails* sont des marques de Dell Computer Corporation.

Toutes les autres marques déposées et noms de marques utilisés dans ce document se rapportent aux sociétés propriétaires des marques et des noms de ces produits. Dell Computer Corporation décline tout intérêt dans l'utilisation des marques déposées et des noms de marques ne lui appartenant pas.

Octobre 2001 Réf. 7H850 Rév. A01

Sommaire

Instructions de sécurité	2-1
Instructions d'installation	2-2
Contenu du kit du rack RapidRails	2-2
Contenu du kit du rack VersaRails	2-4
Caractéristiques techniques des racks d'autres marques que Dell	2-6
Avant de commencer	2-6
Informations importantes sur la sécurité	2-6
Pieds stabilisateurs du rack	2-6
Outils et fournitures recommandés	2-7
Tâches d'installation	2-7
Retrait des portes du rack	2-7
Marquage du rack	2-8
Installation des axes coulissants RapidRails	2-10
Installation des axes coulissants VersaRails	2-13
Installation des rails internes	2-14
Installation du système dans le rack	2-15
Installation du support de câbles	2-18
Remise en place des portes du rack	2-20

Index

Figures

Figure 2-1.	Contenu du kit du rack RapidRails	2-3
Figure 2-2.	Contenu du kit du rack VersaRails	2-5
Figure 2-3.	Unité à un rack	2-8
Figure 2-4.	Marquage des rails verticaux	2-10
Figure 2-5.	Installation des axes coulissants RapidRails	2-12
Figure 2-6.	Installation des axes coulissants VersaRails	2-14
Figure 2-7.	Installation des rails internes	2-15
Figure 2-8.	Installation du système dans le rack	2-17
Figure 2-9.	Installation du bras de maintien des câbles	2-19


Instructions de sécurité


Respectez les consignes de sécurité de ce guide pour assurer votre sécurité personnelle et pour contribuer à protéger votre serveur, votre système de stockage ou appareil contre des dommages potentiels. Pour obtenir toutes les informations de sécurité, réglementaires et les garanties, reportez-vous au document intitulé *Informations système*.


Précautions à suivre concernant les produits destinés à être montés dans des racks

Pour la stabilité du rack et pour votre sécurité, veuillez respecter les précautions suivantes. Reportez-vous également à la documentation accompagnant le système et le rack pour connaître les avertissements et/ou les mises en garde et les procédures spécifiques.

Les serveurs, les systèmes de stockage et les appareils sont considérés comme les composants d'un rack. Ainsi, le terme "composant" fait référence à tout serveur, tout système de stockage ou appareil, aussi bien qu'aux différents périphériques ou matériels.

 **ATTENTION : L'installation de composants d'un système dans un rack sans placer de stabilisateurs avant et latéraux peut provoquer le basculement du rack, et comporte dans certaines situations un risque de blessures. C'est pourquoi il faut toujours installer les stabilisateurs avant d'installer les composants du rack.**

 **ATTENTION : Après avoir installé le système/les composants dans un rack, ne tirez jamais plus d'un composant du rack sur les supports coulissants. Le poids représenté par plus d'un composant étendu pourrait en effet provoquer le basculement du rack et blesser l'utilisateur.**

 **REMARQUE :** Votre système Dell™ est certifié sur le plan de la sécurité en tant qu'unité autonome et en tant que composant destiné à être utilisé dans une armoire rack Dell, à l'aide du kit de rack client de Dell. L'installation du système et du kit de rack Dell dans un rack d'une autre marque n'a reçu aucune homologation des organismes de certification de la sécurité. Il est de votre entière responsabilité de faire évaluer par un organisme de sécurité agréé la combinaison finale du système et du kit de rack Dell dans un rack d'une autre marque. Dell décline toute responsabilité et toutes garanties liées à ce type de combinaisons.

- Les kits de racks sont destinés à être installés dans un rack Dell par des techniciens expérimentés. Si vous installez ce kit dans tout autre rack, assurez-vous que ce rack répond à toutes les spécifications d'un rack Dell.
- Ne déplacez pas seul les racks volumineux. En raison de la hauteur et du poids du rack, il est recommandé de confier l'exécution de cette tâche à deux personnes au minimum.
- Avant de travailler sur le rack, assurez-vous que les stabilisateurs sont bien en place sur le rack et au sol, et que tout le poids du rack repose sur le sol. Installez les stabilisateurs avant et latéraux (pour un rack simple) ou les stabilisateurs avant (pour les racks multiples) avant de travailler sur le rack.

- Chargez toujours le rack du bas vers le haut, en plaçant toujours la plus forte charge en premier.
- Assurez-vous que le rack est bien de niveau avant de sortir l'un des composants à l'aide des supports coulissants.
- Agissez avec précaution lorsque vous appuyez sur les verrous des rails pour les libérer et faire glisser un composant hors ou dans le rack. Les rails coulissants pourraient en effet vous coincer les doigts.
- Après avoir inséré un composant dans le rack, étendez le rail en position maximum jusqu'à son verrouillage puis faites glisser le composant dans le rack.
- Ne surchargez pas le circuit d'alimentation c.a. dérivé alimentant le rack en électricité. La charge totale du rack ne doit pas excéder 80 % de la puissance du circuit dérivé.
- Assurez-vous que l'air circule suffisamment entre les composants du rack.

Ne montez jamais sur l'un des composants du système lors de l'entretien.

Instructions d'installation

Ce guide d'installation contient des instructions à l'intention de techniciens de maintenance qualifiés, en vue de l'installation d'un ou de plusieurs systèmes Dell dans une armoire rack Dell ou d'un autre fabricant. Le kit de rack RapidRails™ peut être installé dans toutes les armoires rack Dell ; le kit de rack VersaRails™ peut être installé dans la plupart des armoires rack conformes aux normes de l'industrie. Les procédures d'installation des kits de rack RapidRails et VersaRails sont les mêmes. Un kit de rack est nécessaire pour chaque système devant être installé dans l'armoire rack.

Avant de commencer l'installation, lisez soigneusement ce document en entier.

 **ATTENTION : N'installez pas de composants de kit de rack prévus pour un autre système. Utilisez uniquement le kit de rack de votre système. Si vous employez le kit d'un autre système, vous risquez d'endommager le système et d'exposer autrui et vous-même à des risques de blessures.**

Contenu du kit du rack RapidRails

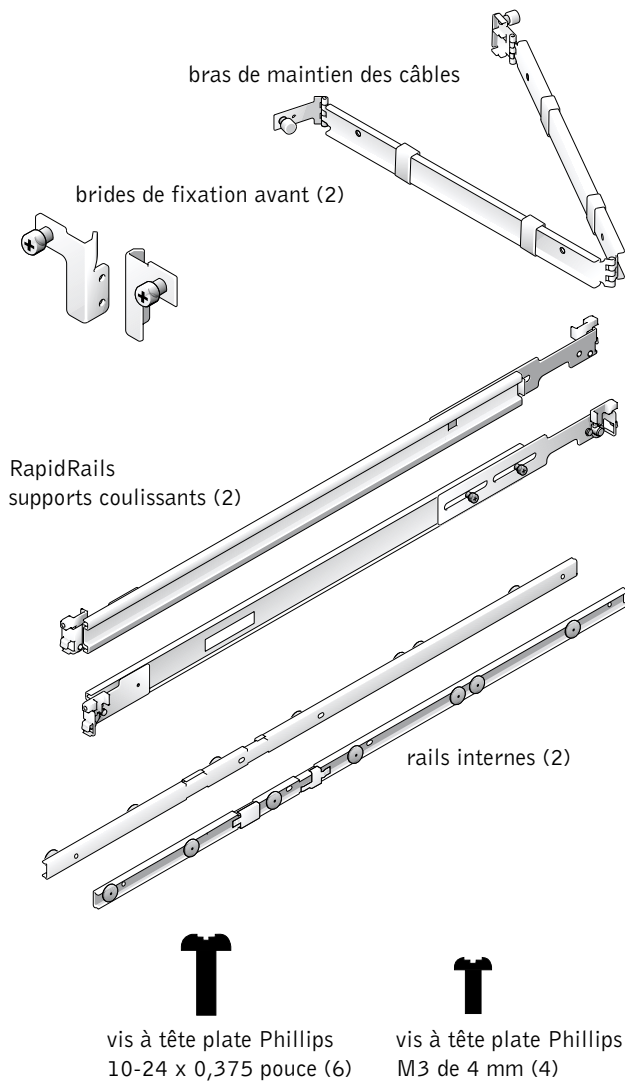
Le kit de rack RapidRails comprend les éléments suivants (voir Figure 2-1) :

- Une paire d'axes coulissants RapidRails
- Une paire de brides de fixation avant
- Un bras de maintien des câbles

- Six vis à tête plate Phillips 10-24 x 0,375 pouce
- Quatre vis à tête plate Phillips M3 de 4 millimètres

REMARQUE : Les vis non métriques décrites dans les illustrations et dans les étapes des procédures sont identifiées par la taille et le nombre des filetages par pouce. Par exemple, une vis à tête Phillips n° 10 avec 32 filetages est désignée par l'appellation vis 10-32.

Figure 2-1. Contenu du kit du rack RapidRails



Contenu du kit du rack VersaRails

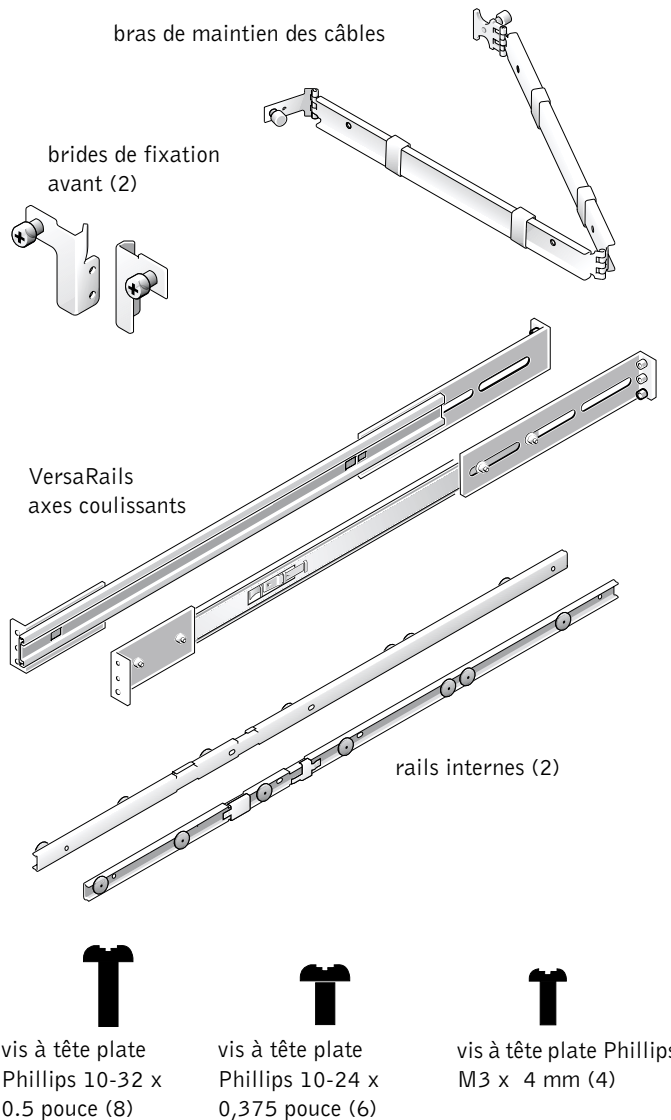
Le kit du rack VersaRails comprend les éléments suivants (voir Figure 2-2) :

- Deux axes coulissants VersaRails
- Une paire de brides de fixation avant
- Un bras de maintien des câbles
- Huit vis à tête Phillips 10-32 x 0,5 pouce
- Six vis à tête plate Phillips 10-24 x 0,375 pouce
- Quatre vis à tête plate Phillips M3 de 4 mm



REMARQUE : Les vis non métriques décrites dans les illustrations et dans les étapes des procédures sont identifiées par la taille et le nombre des filetages par pouce. Par exemple, une vis à tête Phillips n° 10 avec 32 filetages est désignée par l'appellation vis 10-32.

Figure 2-2. Contenu du kit du rack VersaRails



Caractéristiques techniques des racks d'autres marques que Dell

- ➔ **MISE EN GARDE** : Le kit de rack VersaRails est prévu pour être installé par des techniciens de maintenance qualifiés dans un rack conforme aux spécifications des organismes suivants : American National Standards Institute (ANSI)/Electronic Industries Association (EIA) standard ANSI/EIA-310-D-92, International Electrotechnical Commission (IEC) 297, et Deutsche Industrie Norm (DIN) 41494. Un kit de rack est nécessaire pour chaque système installé dans un rack.

Avant de commencer

Avant de commencer à installer votre système dans le rack, lisez les "Instructions de sécurité" au début de ce document, ainsi que les instructions de sécurité du document *Informations système* qui vous fourniront des renseignements supplémentaires.

- ⚠ **ATTENTION** : Lorsque vous installez plusieurs systèmes dans un rack, exécutez toutes les procédures s'appliquant au système en cours avant d'essayer d'installer le système suivant.

- ✍ **REMARQUE** : Pour savoir comment installer le système lui-même, reportez-vous à "Installation d'un système dans le rack".

Informations importantes sur la sécurité

Observez les précautions de sécurité décrites dans les sous-sections suivantes lors de l'installation de votre système dans le rack.

- ⚠ **ATTENTION** : Vous devez respecter à la lettre les procédures de ce document afin de garantir votre propre protection ainsi que celle d'autrui. Votre système peut être lourd et volumineux. Une préparation et une planification adéquates sont donc importantes afin d'éviter tout risque de blessure pour vous-même ou autrui. Ces précautions sont d'autant plus importantes lorsque les systèmes sont installés très haut dans le rack.

Pieds stabilisateurs du rack

- ⚠ **ATTENTION** : Si vous installez des systèmes dans un rack sans placer de pieds stabilisateurs avant et latéraux fixés au sol, le rack peut basculer et entraîner dans certaines situations un risque de blessures. C'est pourquoi il faut toujours installer et fixer les pieds stabilisateurs avant d'installer les composants dans le rack.
- ⚠ **ATTENTION** : Après avoir installé des systèmes dans un rack, ne retirez jamais plus d'un système à la fois hors du rack à l'aide de ses axes coulissants. Le poids représenté par plus d'un système lorsqu'il est extrait pourrait en effet provoquer le basculement du rack et blesser l'utilisateur.

Les pieds stabilisateurs empêchent le rack de basculer lorsque vous extrayez un système ou un autre composant hors du rack, les axes coulissants étant complètement ressortis. Consultez la documentation fournie avec l'armoire rack pour savoir comment installer et fixer les pieds stabilisateurs.

Outils et fournitures recommandés


Les outils et fournitures suivants sont nécessaires pour installer le système dans une armoire rack à quatre postes :

- Un tournevis Phillips n°2
- Bande protectrice adhésive ou stylo feutre pour marquer les trous de montage à utiliser.

Tâches d'installation

L'installation d'un kit de rack comprend les opérations suivantes :

- 1 Retrait des portes du rack
- 2 Marquage du rack
- 3 Installation des axes coulissants dans le rack
- 4 Installation des rails internes
- 5 Installation du système dans le rack
- 6 Installation du bras de maintien des câbles
- 7 Remise en place des portes du rack

 **REMARQUE** : Les procédures suivantes s'appliquent à la fois aux armoires en rack Dell et à celles d'autres fabricants que Dell sauf indication contraire.

Retrait des portes du rack

Pour savoir comment retirer les portes du rack, reportez-vous à la documentation fournie avec les armoires en rack Dell 24U et 42U. Si vous possédez un rack d'un autre fabricant que Dell, reportez-vous à la documentation du fabricant pour savoir comment retirer les portes.

 **ATTENTION** : Compte tenu du poids et de la taille des portes de l'armoire rack, ne déposez ou n'installez jamais les portes seul.

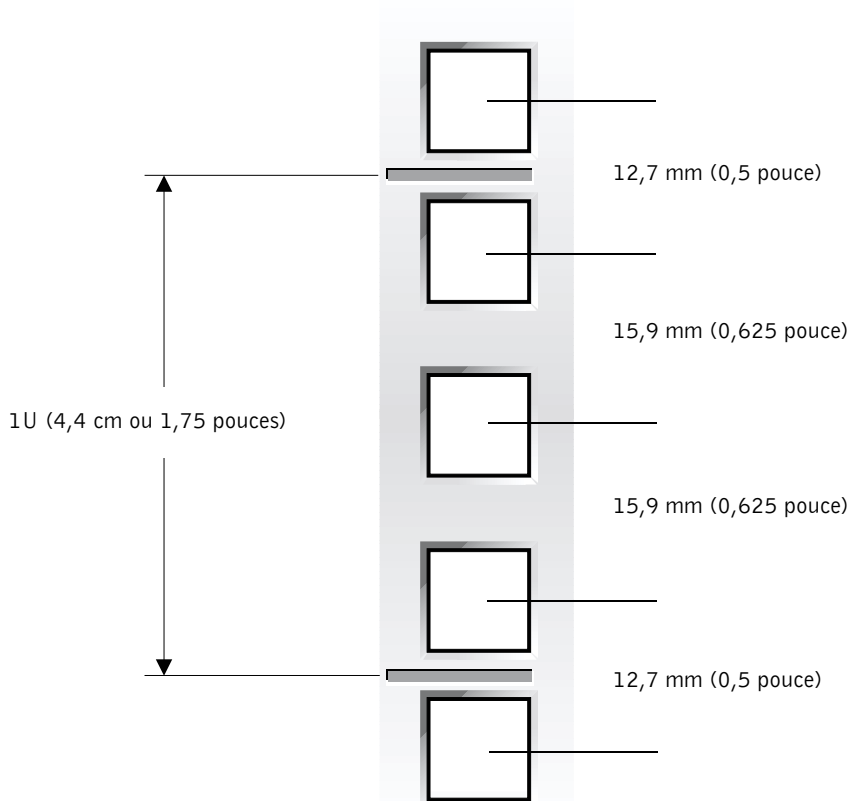
 **ATTENTION** : Stockez les deux portes dans un endroit sûr où elles ne risquent pas de tomber accidentellement et de blesser quelqu'un.

Marquage du rack

Vous devez laisser un espace vertical de 1 U (4,4 centimètres ou 1,75 pouces) pour chaque système installé dans le rack. Les armoires rack Dell et celles d'autres fabricants conformes aux normes EIA-310 alternent un groupe de trois trous par U (unité). Les espacements entre chacun des trois trous, mesurés du centre d'un trou jusqu'au centre du trou suivant (en commençant par le trou supérieur d'un espace de 1U) sont respectivement de 15,9 mm, 15,9 mm et 12,7 mm (0,625 pouces, 0,625 pouces et 0,5 pouces) pour les rails verticaux avant et arrière (voir la Figure 2-3). Les armoires rack des autres fabricants que Dell peuvent comporter des trous ronds ou carrés.

REMARQUE : Si vous possédez une armoire rack Dell PowerEdge™ 4210, les rails verticaux du rack sont marqués par des lignes horizontales et des nombres progressant par paliers de 1 U. Si vous le souhaitez, vous pouvez noter le nombre figurant sur rail vertical du rack. Il n'est pas nécessaire de marquer le rack ou d'y apposer de la bande adhésive. Si vous choisissez cette méthode, passez directement à la procédure "Installation des axes coulissants RapidRails".

Figure 2-3. Unité à un rack



Pour obtenir plus d'informations sur les règles à respecter pour installer des composants dans un rack, reportez-vous au logiciel Dell Rack Advisor disponible sur le site Web de Dell, <http://support.dell.com>.

 **ATTENTION : si vous installez plus d'un système, installez les axes coulissants de façon à ce que le premier système soit placé le plus bas possible dans le rack.**

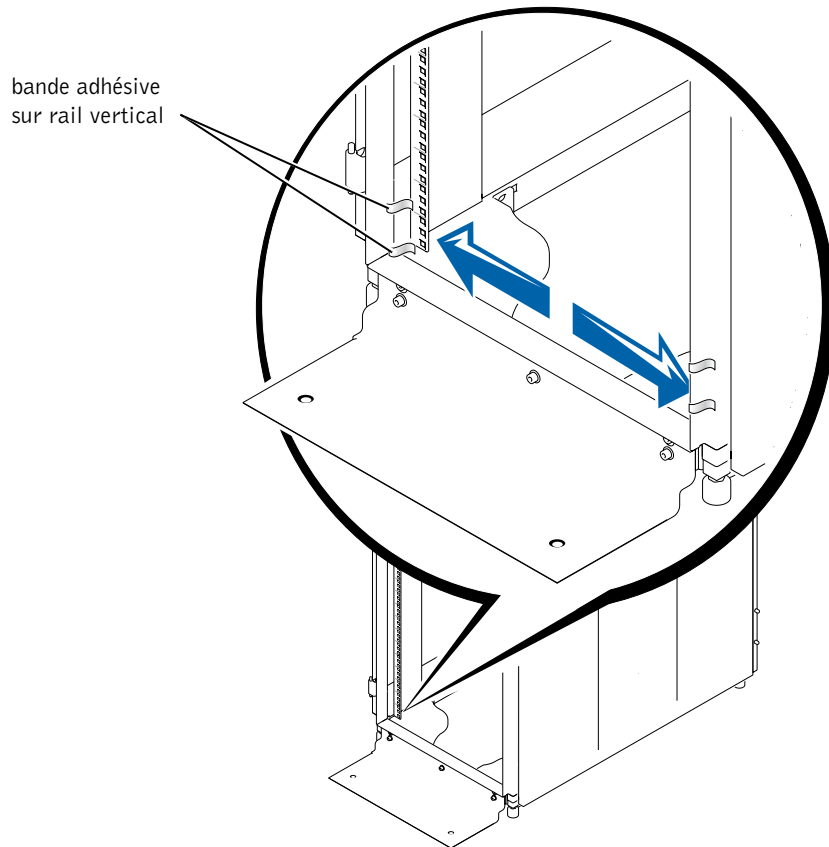
Pour marquer le rack, procédez comme suit :

- 1 Placez une marque sur les rails verticaux avant du rack, à l'endroit correspondant au bas du système à installer dans l'armoire rack.

Le bas de chaque espace 1U se trouve au milieu de la zone métallique la plus étroite située entre les trous (repérée par une ligne horizontale sur certaines armoires rack — voir la Figure 2-3).

- 2 Placez une marque à 4,4 cm (1,75 pouces) au-dessus de la marque originale que vous avez faite (ou comptez trois trous vers le haut dans les racks conformes aux normes EIA-310), puis marquez les rails verticaux du rack avec un stylo feutre ou de la bande protectrice adhésive (si vous avez compté les trous, placez une marque juste au-dessus du trou du haut). Cette marque ou ce morceau de bande adhésive indique l'endroit où le rebord supérieur du système sera installé sur les rails verticaux (voir la Figure 2-4).

Figure 2-4. Marquage des rails verticaux



Installation des axes coulissants RapidRails

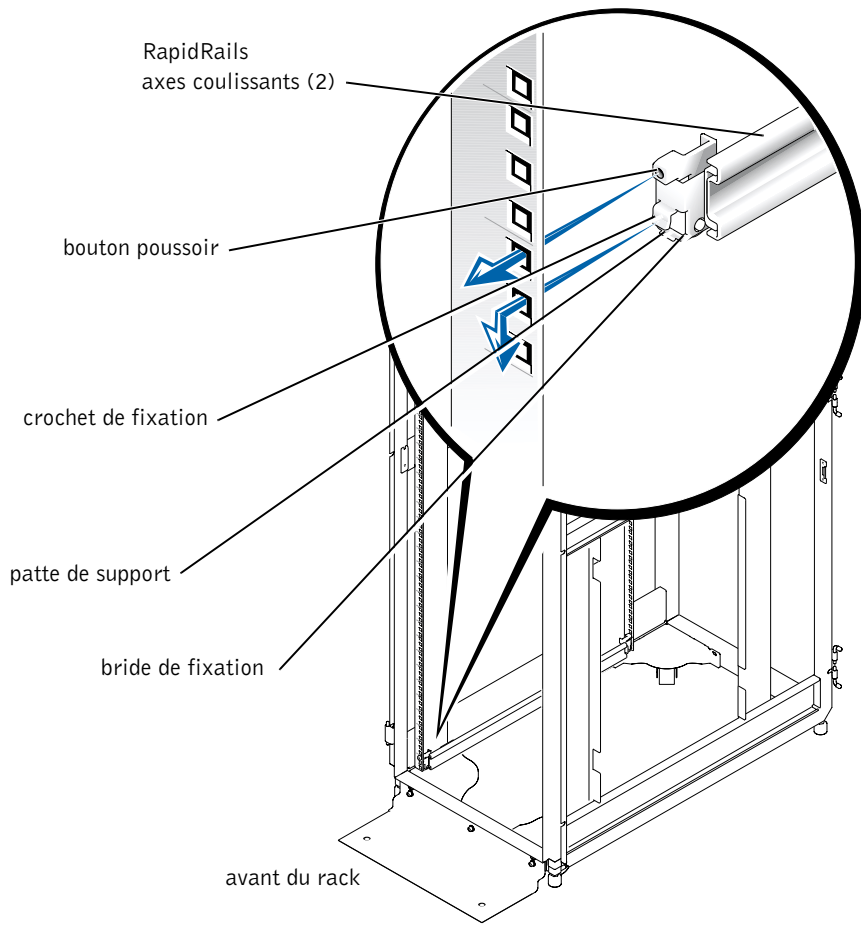
REMARQUE : Si les rails internes sont installés dans leurs axes coulissants, retirez-les avant d'exécuter cette procédure.

- 1 A l'avant de l'armoire rack, positionnez l'un des rails RapidRails de façon à ce que la bride de fixation soit située entre les marques (ou la bande adhésive) placées sur le rack (voir la Figure 2-4).


Le crochet de fixation au centre de la bride de fixation de l'axe coulissant doit pénétrer dans le trou central situé entre les marques que vous avez faites sur les rails verticaux.

- 2** Poussez l'axe coulissant vers l'avant jusqu'à ce que le crochet de fixation soit positionné dans son trou carré sur le rail vertical, puis exercez une pression vers le bas sur la bride de fixation jusqu'à ce que les crochets de fixation s'enclenchent dans les trous carrés et que le bouton-poussoir bleu ressorte et émette un déclic.
- 3** A l'arrière de l'armoire, tirez la bride de fixation vers l'arrière jusqu'à ce que les crochets de fixation soient positionnés dans leur trous carrés, puis exercez une pression vers le bas sur la bride de fixation jusqu'à ce que les crochets de fixation s'enclenchent dans les trous carrés et que le bouton-poussoir bleu ressorte et émette un déclic.
- 4** Effectuez de nouveau les opérations des étapes de 1 à 3 pour l'axe coulissant restant situé sur l'autre côté du rack.
- 5** Vérifiez que les rails sont montés à la même position sur les rails verticaux de chaque côté du rack.

Figure 2-5. Installation des axes coulissants RapidRails



Installation des axes coulissants VersaRails

 **REMARQUE :** Si les rails internes sont installés dans leurs axes coulissants, retirez-les avant d'exécuter cette procédure.

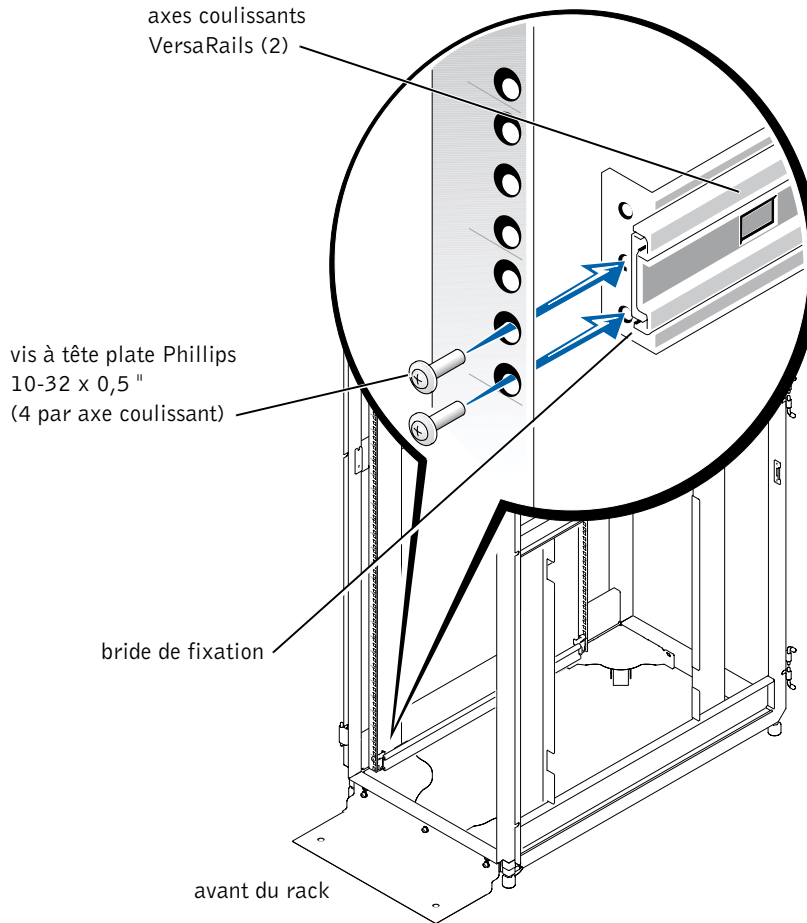
- 1 A l'avant de l'armoire rack, positionnez l'un des rails VersaRails de façon à ce que la bride de fixation soit située entre les marques ou la bande adhésive (ou l'emplacement numéroté) sur le rack (voir la Figure 2-4).

Les trois trous à l'avant de la bride de fixation doivent correspondre exactement aux trois trous situés entre les marques que vous avez faites sur les rails verticaux (ou aux trois trous de l'emplacement numéroté que vous avez sélectionné).

- 2 Insérez deux vis Phillips à tête plate 10-32 x 0,5 " dans les trous du milieu et du bas de la bride de fixation afin de fixer l'axe coulissant au rail vertical avant (voir la Figure 2-6).
- 3 A l'arrière de l'armoire, tirez sur la bride de fixation jusqu'à ce que les trous de montage correspondent exactement à leurs trous respectifs sur le rail vertical arrière.
- 4 Si le rack a des trous carrés, insérez deux vis Phillips à tête plate 10-32 x 0,5 " dans les trous du milieu et du bas de la bride de fixation afin de fixer l'axe coulissant au rail vertical arrière.

Si le rack a des trous ronds, insérez une vis Phillips à tête plate 10-32 x 0,5 " dans le trou du milieu de la bride de fixation afin de fixer l'axe coulissant au rail vertical arrière.

- 5 Effectuez de nouveau les opérations des étapes de 1 à 4 pour l'axe coulissant restant situé sur l'autre côté du rack.
- 6 Vérifiez que les rails sont montés à la même position sur les rails verticaux de chaque côté du rack.

Figure 2-6. Installation des axes coulissants VersaRails

Installation des rails internes

Pour installer les rails internes sur les côtés du système, procédez comme suit :

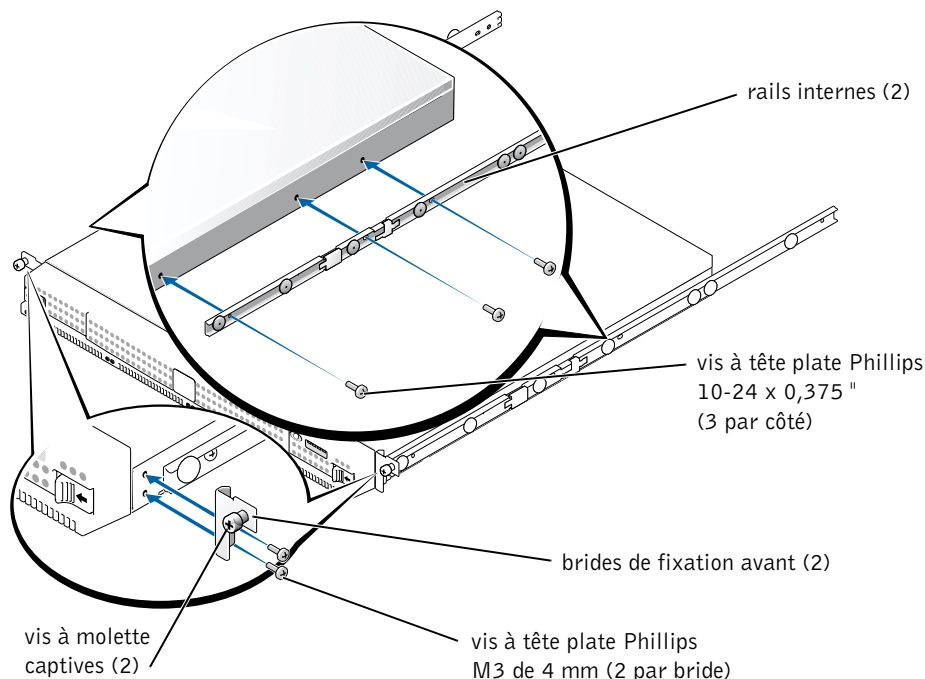
⚠ ATTENTION : Votre système peut être lourd lorsqu'il est entièrement chargé. Pour éviter toute blessure, ne tentez pas de le déplacer seul.

- 1 Positionnez le rail interne sur le côté du châssis du système (voir la Figure 2-7).
- 2 Fixez chaque rail interne sur le côté du châssis à l'aide de trois vis à tête plate Phillips 10-24 x 0,375 pouce (voir la Figure 2-7).

- 3** Assujettissez chaque bride de fixation avant sur les côtés droit et gauche du châssis avec deux vis à tête plate Phillips M3 x 4 mm (voir la Figure 2-7).

Chaque bride de fixation avant porte la mention **L** (signifiant left=gauche) ou **R** (signifiant right=droit) afin d'indiquer le côté du châssis (vu de l'avant) sur lequel vous devez l'installer.

Figure 2-7. Installation des rails internes



Installation du système dans le rack

⚠ ATTENTION : Si vous installez plus d'un système, installez le premier système le plus bas possible dans le rack.

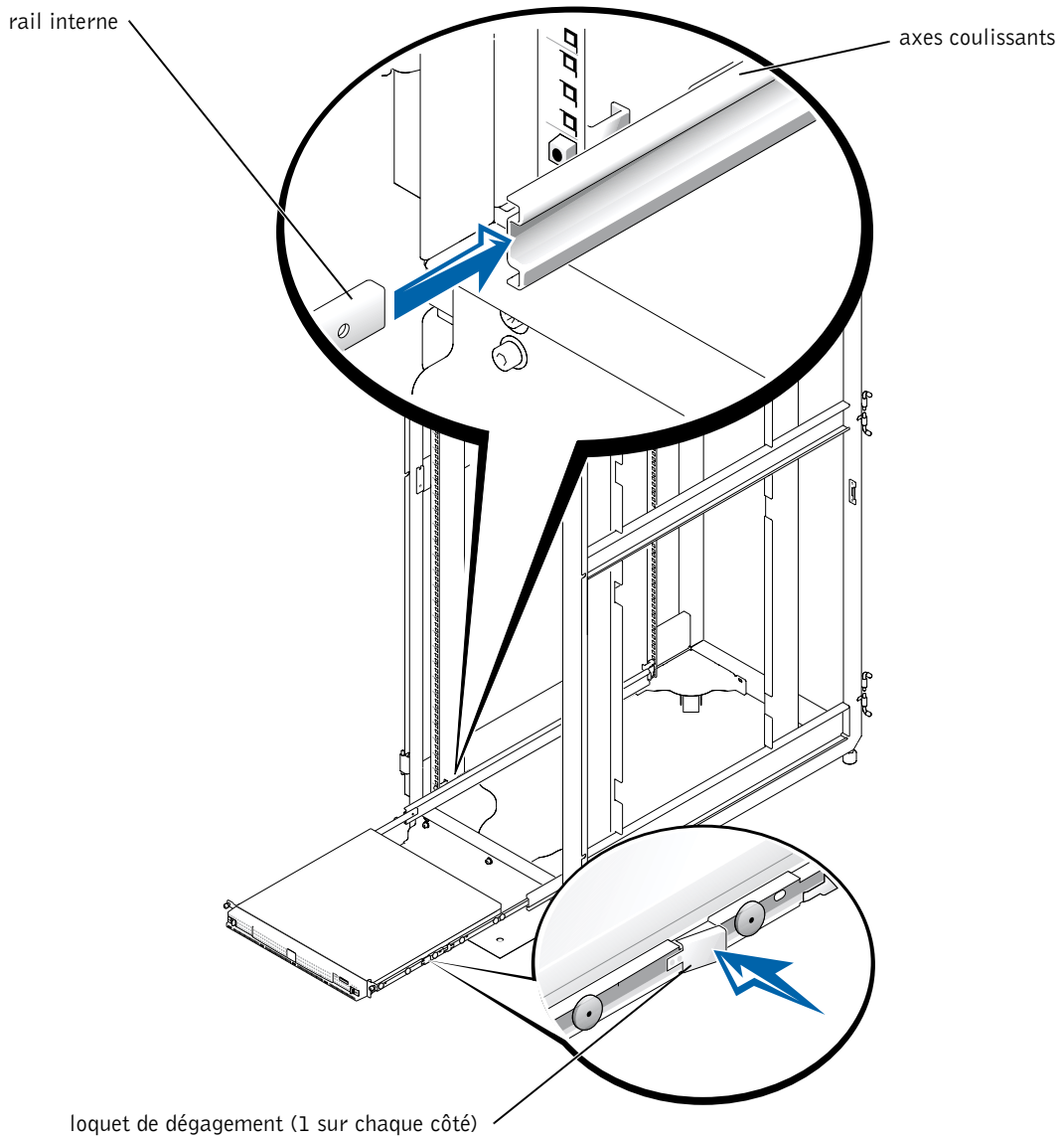
⚠ ATTENTION : Ne retirez jamais plus d'un composant du rack en même temps.

- 1** Tirez les deux axes coulissants hors du rack jusqu'à ce qu'ils se fixent en position étendue.

⚠ ATTENTION : en raison de la taille et du poids du système, ne tentez jamais de l'installer seul dans les axes coulissants.

- 2** Soulevez le système pour le placer en bonne position à l'avant des axes coulissants étendus.
- 3** Alignez les rails internes que vous avez installés sur les côtés du système sur la position ouverte des axes coulissants (voir Figure 2-8).
- 4** Poussez le système dans les axes coulissants jusqu'à ce qu'il se bloque (voir la Figure 2-8).
- 5** Appuyez sur le loquet de chaque axe coulissant étendu et poussez le châssis dans le rack (voir la Figure 2-8).
- 6** Enfoncez et serrez les vis à molette captives situées de chaque côté du panneau du châssis avant pour fixer le système sur le rack.

Figure 2-8. Installation du système dans le rack



Installation du support de câbles

Pour installer le bras de maintien des câbles à l'arrière du système, procédez comme suit :

- 1** En vous plaçant face à l'arrière de l'armoire rack, localisez les trois trous filetés libres sur le rail vertical droit sur lequel vous avez installé l'axe coulissant.
- 2** Si vous installez le kit RapidRails, installez le bras de maintien des câbles de façon à ce que la vis à molette se trouve sur le dessus de la bride (voir la Figure 2-9).
Si vous installez le kit VersaRails, installez le bras de maintien des câbles de façon à ce que la vis à molette se trouve au milieu de la bride (voir la Figure 2-9).
- 3** A l'aide de la vis à molette de la bride, fixez la bride sur la surface arrière du rail vertical droit, à l'endroit où est fixé l'axe coulissant.

La vis à molette s'installe dans les trous restés inutilisés lors de l'installation des axes coulissants.

- 4** Alignez l'extrémité libre du bras de maintien des câbles (celle portant la broche et la vis à molette captive) sur l'arrière du rail interne latéral droit (en le regardant depuis l'arrière du système).
- 5** Fixez le bras de maintien des câbles au rail interne à l'aide de la vis à molette captive (voir la Figure 2-9).
- 6** Fixez les câbles d'entrée et de sortie (I/O) sur leurs connecteurs respectifs sur le panneau arrière du système.
- 7** Connectez les câbles restants au système.

Pour obtenir plus de détails, reportez-vous au *Guide d'installation et de dépannage* et au *Guide de l'utilisateur*.

- 8** Fixez les câbles sur le bras de maintien des câbles.
 - a** Après avoir connecté les câbles au système, dévissez les vis à molette fixant l'avant du système au rail vertical avant.
 - b** Faites glisser le système vers l'extérieur en position étendue maximale.
 - c** Placez les câbles le long du bras de maintien en laissant un peu de jeu au niveau des charnières puis fixez les sur le bras à l'aide des bandes Velcro fournies.
- 9** Faites glisser le système dans et hors du rack pour vérifier que les câbles sont bien installés correctement et ne se bloquent pas, ne se coincent pas lors du déplacement du bras de maintien des câbles.

Figure 2-9. Installation du bras de maintien des câbles

Kit RapidRails :
bride pour rail à trous
carrés (vis à molette
sur le dessus)

Kit VersaRails :
bride pour rail à trous
carrés ou ronds (vis à
molette au centre)

rail interne

broche

vis à molette

REMARQUE : lorsque vous tirez le système dans sa position la plus étendue, les charnières vont se bloquer dans cette position. Pour replacer le système dans le rack, appuyez sur les loquets de dégagement situés sur le côté de l'axe coulissant (voir la Figure 2-8) pour les déverrouiller, puis faites glisser le système en arrière dans le rack.

Remise en place des portes du rack

Pour savoir comment remettre en place les portes du rack, reportez-vous à la documentation fournie avec les armoires en rack Dell 24U ou 42U. Si vous possédez un rack d'un autre fabricant que Dell, reportez-vous à la documentation du fabricant pour savoir comment remettre en place les portes.

 **ATTENTION : Compte tenu du poids et de la taille des portes de l'armoire rack, ne déposez ou n'installez jamais les portes seul.**

L'installation de votre système dans le rack est terminée.

Index

B

- bras de maintien des câbles, 2-18
- installation, 2-18
- routage des câbles, 2-18

C

- caractéristiques techniques des racks d'autres marques que Dell, 2-6
- composants illustrés
 - Kit RapidRails, 2-3
 - Kit VersaRails, 2-5
- contenu
 - Kit RapidRails, 2-2
 - Kit VersaRails, 2-4
- contenu du kit
 - RapidRails, 2-2
 - VersaRails, 2-5
- contenu du kit de rack
 - VersaRails, 2-4
- Contenu du kit
 - RapidRails, 2-2
- contenu du kit
 - RapidRails, 2-2

I

- installation dans le rack
 - bras de maintien des câbles, 2-18
 - système, 2-14, 2-15, 2-17
- instructions de sécurité, 2-1

M

- marquage du rack, 2-8

O

- outils et fournitures, 2-7

P

- pieds stabilisateurs du rack, 2-6
- portes
 - réinstallation, 2-20
 - retrait, 2-7
- précautions de montage des racks, 2-6

R

- rails verticaux
 - marquage, 2-8
 - unité à un rack, 2-8
- routage des câbles, 2-18

S

- Site Web de Dell, 2-9
- système
 - installation dans le rack, 2-14

U

- unité de rack, 2-8

V

- VersaRails
 - caractéristiques techniques des racks d'autres marques que Dell, 2-6
 - contenu du kit, 2-4, 2-5

Dell™-Systeme

Rack-Installationsanleitung



Anmerkungen, Hinweise und Warnungen



HINWEIS: Ein HINWEIS enthält wichtige Informationen, mit deren Hilfe Sie Ihren Computer besser nutzen können.



BITTE BEACHTEN: BITTE BEACHTEN weist auf eine mögliche Beschädigung von Hardware oder den Verlust von Daten hin und beschreibt, wie dieses Problem vermieden werden kann.



VORSICHT: VORSICHT weist darauf hin, dass die Gefahr für einen Sachschaden, Personenschaden oder Lebensgefahr besteht.

Die in diesem Dokument enthaltenen Informationen können ohne Vorankündigung geändert werden.

© 2001 Dell Computer Corporation. Alle Rechte vorbehalten.

Eine Reproduktion dieses Dokuments in jeglicher Form ist nur mit vorheriger schriftlicher Genehmigung der Dell Computer Corporation erlaubt.

Die in diesem Text verwendeten Warenzeichen: *Dell*, das *DELL*-Logo, *PowerEdge*, *VersaRails* und *RapidRails* sind Warenzeichen der Dell Computer Corporation.

Andere in diesem Dokument möglicherweise verwendete Warenzeichen und Handelsbezeichnungen sind unter Umständen Marken und Namen der entsprechenden Firmen oder ihrer Produkte. Die Dell Computer Corporation erhebt keinen Anspruch auf Warenzeichen oder Handelsnamen mit Ausnahme ihrer eigenen.

Oktober 2001 P/N 7H850 Rev. A01

Inhalt

Sicherheitshinweise	3-1
Installationsanleitung	3-2
Inhalt des RapidRails Rack-Kits	3-3
Inhalt des VersaRails Rack-Kits	3-5
Rack-Anforderungen anderer Anbieter	3-7
Bevor Sie beginnen	3-7
Wichtige Sicherheitsinformationen	3-7
Rack-Stabilisatoren	3-7
Empfohlene Werkzeuge und Zubehör	3-8
Installationsarbeiten	3-8
Entfernen der Rack-Türen	3-8
Markieren des Racks	3-9
Installation der RapidRails-Schiebeeinheiten	3-12
Installation der VersaRails-Schiebeeinheiten	3-14
Installation der Innenschienen	3-15
Installation des Systems im Rack	3-17
Installation des Kabelarms	3-19
Einsetzen der Rack-Türen	3-21

Index

Abbildungen

Abbildung 3-1.	Inhalt des RapidRails Rack-Kits	3-4
Abbildung 3-2.	Inhalt des VersaRails Rack-Kits	3-6
Abbildung 3-3.	Eine Rack-Einheit	3-10
Abbildung 3-4.	Markieren der vertikalen Schienen	3-11
Abbildung 3-5.	Installation der RapidRails-Schiebeeinheiten . . .	3-13
Abbildung 3-6.	Installation der VersaRails-Schiebeeinheiten . . .	3-15
Abbildung 3-7.	Installation der Innen-Schienen	3-16
Abbildung 3-8.	Installieren des Systems im Rack	3-18
Abbildung 3-9.	Installation des Kabelarms	3-20


Sicherheitshinweise

Beachten Sie die nachfolgenden Sicherheitshinweise, um Ihre eigene Sicherheit zu gewährleisten und Schäden an Ihrem Server, Speichersystem oder Ihren Geräten zu vermeiden. Vollständige Informationen über die Sicherheitsanforderungen, Vorschriften und Garantiebedingungen finden Sie in Ihren *Systeminformationen*.


Vorsichtsmaßnahmen für Rack-montierbare Produkte

Um die Stabilität und Sicherheit des Racks zu gewährleisten, befolgen Sie bitte die folgenden Vorsichtsmaßnahmen. Spezielle Warnungen und/oder Sicherheitshinweise und Prozeduren finden Sie auch in der zum System gehörenden Dokumentation zur Rack-Installation.

Server, Speichersysteme und Geräte werden als Komponenten in einem Rack betrachtet. Der Begriff „Komponente“ bezieht sich also auf einen beliebigen Server, ein Speichersystem oder ein Gerät, sowie auf verschiedene Peripheriegeräte oder Zusatzhardware.

 **VORSICHT: Werden Systemkomponenten in einem Rack installiert, an dem die vorderen und seitlichen Stabilisatoren fehlen, kann das Rack umkippen, was unter Umständen schwere Verletzungen zur Folge haben kann. Installieren Sie daher immer erst die Stabilisatoren, bevor Sie Komponenten im Rack installieren.**

 **VORSICHT: Ziehen Sie nach der Installation von Systemen/Komponenten in einem Rack niemals mehr als eine Komponente gleichzeitig auf ihren Gleitschienen aus dem Rack. Durch das Gewicht von mehr als einer Komponente kann das Rack umkippen und Verletzungen hervorrufen.**

 **HINWEIS:** Ihr Dell™-System ist als frei stehende Einheit und für die Verwendung als Komponente in Dell-Gestellschränken sicherheitszertifiziert, wobei das Dell Customer Rack Kit eingesetzt werden muss. Die Installation Ihres Systems und Rack-Kits in Gestellschränken anderer Hersteller wurde von keiner Prüfbehörde untersucht. Es liegt in Ihrer Verantwortung, die Eignung der endgültigen Kombination von Dell-Systemen und Rack-Kits für den Einsatz in Gestellschränken anderer Hersteller durch eine zertifizierte Prüfbehörde untersuchen zu lassen. Dell lehnt jede Haftung und Gewährleistung für solche Kombinationen ab.

- System-Rack-Kits müssen von geschulten Servicetechnikern in einem Rack installiert werden. Wenn Sie das Kit in einem anderen Rack installieren, vergewissern Sie sich, dass das Rack die Spezifikationen eines Dell-Racks erfüllt.
- Bewegen Sie große Racks nicht alleine. Wegen der Höhe und des Gewichtes des Racks sollte diese Aufgabe von mindestens zwei Personen gemeinsam durchgeführt werden.

- Bevor Sie an einem Rack arbeiten, vergewissern Sie sich, dass die Stabilisatoren sicher am Rack befestigt sind, bis auf den Boden reichen und dass das gesamte Gewicht des Racks auf dem Boden lastet. Installieren Sie an einem einzelnen Rack vordere und seitliche Stabilisatoren oder an mehreren miteinander verbundenen Racks vordere Stabilisatoren, bevor Sie an dem Rack arbeiten.
- Belasten Sie das Rack immer von unten nach oben, und bauen Sie die schwerste Komponente zuerst im Rack ein.
- Vergewissern Sie sich, dass das Rack eben und stabil steht, bevor Sie eine Komponente aus dem Rack ziehen.
- Seien Sie vorsichtig, wenn Sie auf die Verriegelung der Schiene der Komponente drücken und eine Komponente in das Rack schieben oder aus dem Rack ziehen, da Sie sich in den Gleitschienen die Finger klemmen können.
- Nachdem eine Komponente in das Rack eingesetzt ist, ziehen Sie die Schienen vorsichtig bis in die Verriegelungsposition, und schieben Sie dann die Komponente in das Rack.
- Überlasten Sie nicht den Wechselstromkreis, über den das Rack mit Strom versorgt wird. Die Gesamtlast des Racks sollte 80 Prozent der Nennbelastbarkeit des Stromkreises nicht überschreiten.
- Stellen Sie sicher, dass eine ausreichende Luftzufuhr zu den Komponenten im Rack gewährleistet ist.

Treten Sie nicht auf ein System / eine Komponente und stellen Sie sich nicht darauf, wenn Sie an anderen Systemen/Komponenten in einem Rack Arbeiten durchführen.

Installationsanleitung

Die Installationsanleitung enthält Anleitungen für geschultes Servicepersonal zur Installation eines oder mehrerer Systeme in einem Dell-Gestellschrank oder einem anderen, nicht von Dell hergestellten Gestellschrank. Das RapidRails™ Rack-Kit kann in allen Dell-Gestellschränken installiert werden, das VersaRails™ Rack-Kit in den meisten Standardgestellschränken. Die Installation der RapidRails und VersaRails Rack-Kits erfolgt in ähnlicher Weise. Für jedes im Gestellschrank zu installierende System wird ein Rack-Kit benötigt.

Bevor Sie mit der Installation beginnen, lesen Sie dieses gesamte Dokument sorgfältig durch.



VORSICHT: Installieren Sie keine Rack-Kit-Komponenten, die für ein anderes System vorgesehen sind. Verwenden Sie ausschließlich das für Ihr System konzipierte Rack-Kit. Wenn Sie das Rack-Kit für ein anderes System verwenden, kann das System beschädigt werden und Sie selbst oder andere Personen könnten sich verletzen.

Inhalt des RapidRails Rack-Kits

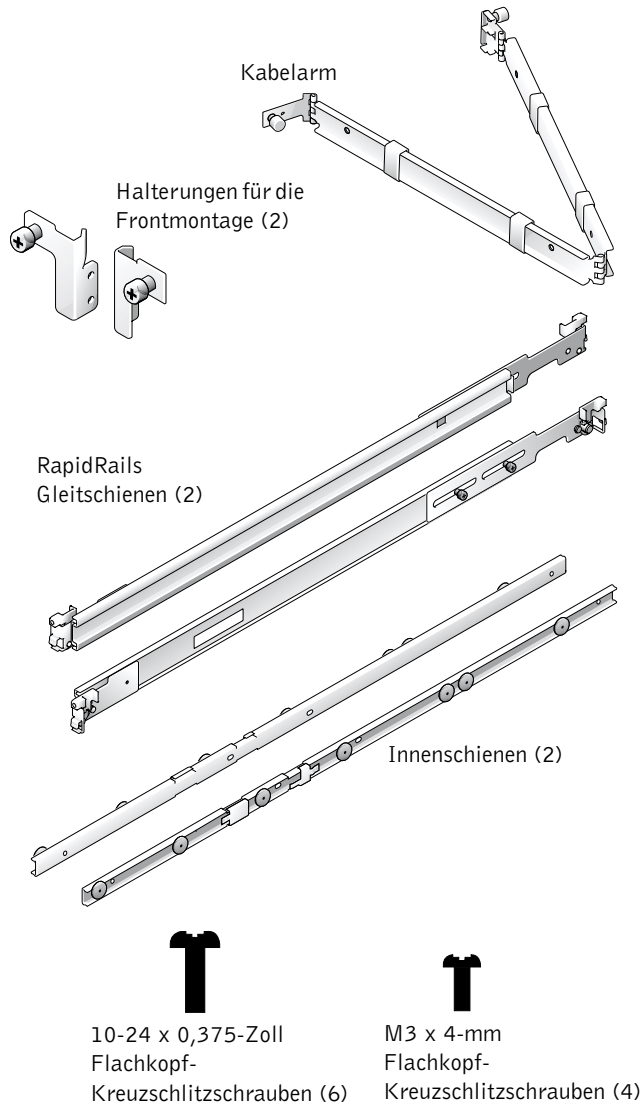
Das RapidRails Rack-Kit enthält folgende Teile (siehe Abbildung 3-1):

- Ein Paar RapidRails-Schiebeeinheiten
- Ein Paar vordere Montagehalterungen
- Ein Kabelarm
- Sechs 10-24 x 0,375-Zoll Flachkopf-Kreuzschlitzschrauben
- Vier M3 x 4 mm Flachkopf-Kreuzschlitzschrauben



HINWEIS: Die in den Abbildungen und Prozeduren genannten nichtmetrischen Schrauben werden anhand ihrer Größe und der Anzahl der Windungen pro Zoll bezeichnet. Beispielsweise wird eine Kreuzschlitzschraube Nr. 10 mit 32 Windungen pro Zoll als 10-32-Schraube bezeichnet.

Abbildung 3-1. Inhalt des RapidRails Rack-Kits



Inhalt des VersaRails Rack-Kits

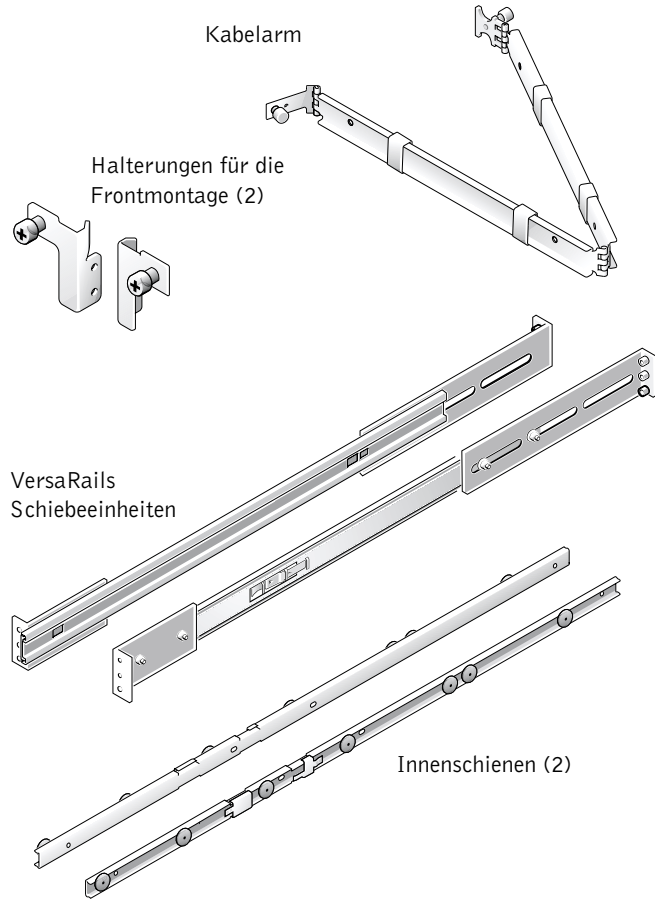
Das VersaRails Rack-Kit enthält folgende Teile (siehe Abbildung 3-2):




- Ein Paar VersaRails-Schiebeeinheiten
- Ein Paar vordere Montagehalterungen
- Ein Kabelarm
- Acht 10-32 x 0,5 Zoll Kreuzschlitzschrauben
- Sechs 10-24 x 0,375-Zoll Flachkopf-Kreuzschlitzschrauben
- Vier M3 x 4-mm Flachkopf-Kreuzschlitzschrauben




HINWEIS: Die in den Abbildungen und Prozeduren genannten nichtmetrischen Schrauben werden anhand ihrer Größe und der Anzahl der Windungen pro Zoll bezeichnet. Beispielsweise wird eine Kreuzschlitzschraube Nr. 10 mit 32 Windungen pro Zoll als 10-32-Schraube bezeichnet.

Abbildung 3-2. Inhalt des VersaRails Rack-Kits



- | | | |
|---|---|--|
|  |  |  |
| 10-32 x 0,5-Zoll
Flachkopf-
Kreuzschlitzschrauben (8) | 10-24 x 0,375-Zoll
Flachkopf-
Kreuzschlitzschrauben (6) | M3 x 4-mm
Flachkopf-
Kreuzschlitzschrauben (4) |


Rack-Anforderungen anderer Anbieter

-  **BITTE BEACHTEN:** Dieses VersaRails Rack-Kit muss von geschulten Servicetechnikern in einem Rack installiert werden, das den Spezifikationen des American National Standards Institute (ANSI)/Electronic Industries Association (EIA) Standard ANSI/EIA-310-D-92, der International Electrotechnical Commission (IEC) 297 und der Deutschen Industrie Norm (DIN) 41494 entspricht. Für jedes System, das in einem Rack installiert wird, wird ein Rack-Kit benötigt.

Bevor Sie beginnen


Vor der Installation Ihres Systems in dem Rack lesen Sie sorgfältig die Sicherheitshinweise am Anfang dieser Anleitung sowie die Sicherheitshinweise in der Broschüre *Systeminformation*.

-  **VORSICHT:** Wenn Sie mehrere Systeme in einem Rack installieren, beenden Sie alle Prozeduren für das gerade installierte System, bevor Sie das nächste System installieren.



-  **HINWEIS:** Anweisungen zur Installation des Systems selbst finden Sie unter „Installation eines Systems im Rack“.

Wichtige Sicherheitsinformationen

Beachten Sie die Sicherheitsmaßnahmen in den folgenden Unterabschnitten, wenn Sie Ihr System in dem Rack installieren.

-  **VORSICHT:** Die in diesem Dokument angegebenen Prozeduren müssen exakt befolgt werden, damit Sie selbst und andere Beteiligte nicht gefährdet werden. Ihr System kann sehr groß und schwer sein. Sie sollten die Installation also gründlich vorbereiten und planen, um Verletzungen zu vermeiden. Dies gilt besonders, wenn Systeme oben im Rack installiert werden.

Rack-Stabilisatoren

-  **VORSICHT:** Werden Systeme in einem Rack installiert, dessen vordere und seitliche Stabilisatoren nicht montiert und am Boden befestigt wurden, kann das Rack umkippen. Dies kann unter Umständen zu schweren Verletzungen führen. Installieren und befestigen Sie daher immer erst die Stabilisatoren, bevor Sie Komponenten in dem Rack installieren.
-  **VORSICHT:** Nach der Installation von Systemen in einem Rack ziehen Sie niemals mehr als ein System gleichzeitig auf den Gleitschienen aus dem Rack. Durch das Gewicht von mehr als einem herausgezogenen System kann das Rack umkippen und Verletzungen verursachen.

Die Stabilisatoren verhindern, dass das Rack umkippt, wenn ein System oder eine andere Komponente auf den Gleitschienen vollständig aus dem Rack gezogen wird. Anleitungen zur Installation und Befestigung der Stabilisatoren finden Sie in der Dokumentation des Gestellschranks.

Empfohlene Werkzeuge und Zubehör

Sie benötigen folgende Werkzeuge und Zubehörteile zur Installation des Systems in einem Gestellschrank mit vier Stützen:

- Einen Kreuzschlitz-Schraubendreher Nr. 2
- Kreppband oder einen Filzstift zur Markierung der für die Montage zu verwendenden Löcher

Installationsarbeiten

Bei der Installation eines Rack-Kits müssen die folgenden Aufgaben ausgeführt werden:

- 1 Entfernen der Rack-Türen
- 2 Markieren des Racks
- 3 Installation der Schiebeneinheiten im Rack
- 4 Installation der Innenschienen
- 5 Installieren des Systems im Rack
- 6 Installation des Kabelarms
- 7 Austauschen der Rack-Türen



HINWEIS: Sofern nicht anders angegeben, gelten die im Folgenden beschriebenen Verfahren sowohl für Dell-Gestellschränke als auch für Gestellschränke anderer Anbieter.

Entfernen der Rack-Türen

Weitere Informationen zum Abnehmen der Türen finden Sie in der Dokumentation zu den Gestellschränken Dell 24-U oder 42-U. Wenn Ihr Gestellschrank kein Dell-Produkt ist, lesen Sie die Anleitungen des Herstellers zum Entfernen der Türen.



VORSICHT: Wegen der Größe und des Gewichts der Gestellschränktüren sollten Sie keinesfalls versuchen, sie ohne fremde Hilfe abzunehmen oder einzubauen.



VORSICHT: Stellen Sie die Türen an einen Platz, wo niemand verletzt wird, wenn die Türen versehentlich umfallen.

Markieren des Racks

Lassen Sie zwischen den einzelnen Systemen, die Sie im Rack installieren, einen vertikalen Abstand von 1 U (4,4 cm / 1,75 Zoll). Dell-Gestellschränke und Gestellschränke anderer Anbieter, die den EIA-310-Standards entsprechen, haben ein sich wiederholendes Muster aus drei Löchern pro Rack-Einheit, deren Mittenabstand zueinander (beginnend in der Mitte des oberen Lochs einer 1-U-Einheit) 15,9 mm, 15,9 mm und 12,7 mm (0,625 Zoll, 0,625 Zoll und 0,5 Zoll) für die vorderen und hinteren vertikalen Schienen beträgt (siehe Abbildung 3-3). Gestellschränke anderer Anbieter haben wahrscheinlich runde oder rechteckige Löcher.


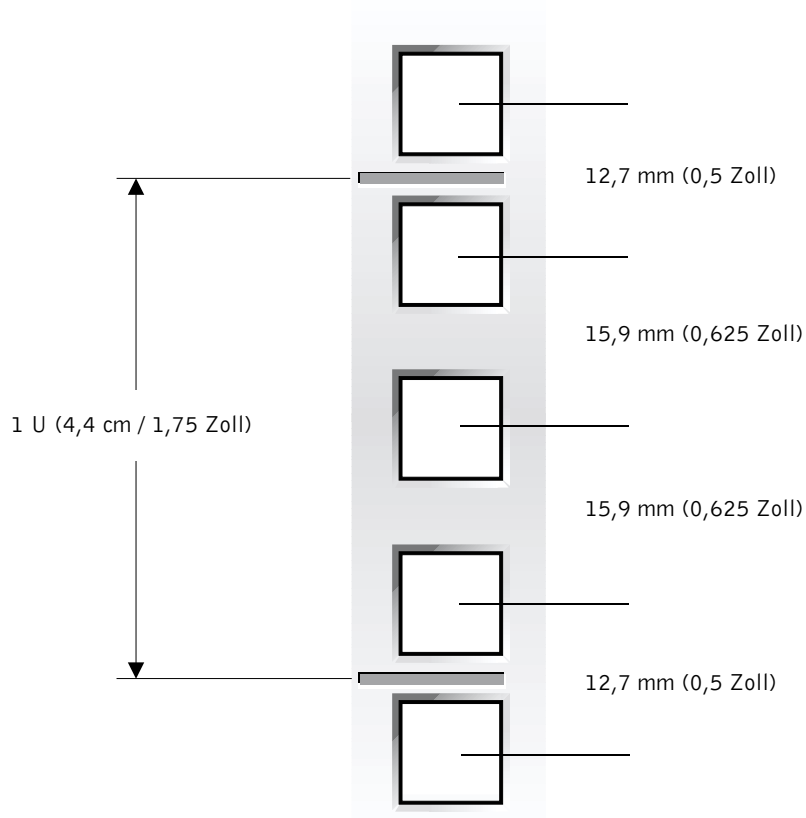
 **HINWEIS:** Die vertikalen Schienen eines Dell PowerEdge™ 4210 Gestellschranks sind jeweils im Abstand von 1 U mit nummerierten horizontalen Linien markiert. Am besten notieren Sie sich die Nummer der Markierung auf der vertikalen Schiene. So brauchen Sie keine zusätzlichen Markierungen oder Kreppband am Rack anzubringen. Wenn Sie sich für dieses Verfahren entscheiden, gehen Sie direkt zum Abschnitt „Installation der RapidRails-Schiebeeinheiten“.

Abbildung 3-3. Eine Rack-Einheit

Weitere Informationen über die Anforderungen zur Installation von Komponenten in einem Rack finden Sie in der Software Dell Rack Advisor auf der Dell-Website unter <http://support.dell.com>.

⚠ VORSICHT: Wenn Sie mehr als ein System installieren, installieren Sie die Schiebeeinheiten so, dass das erste System in der untersten möglichen Position im Rack installiert ist.

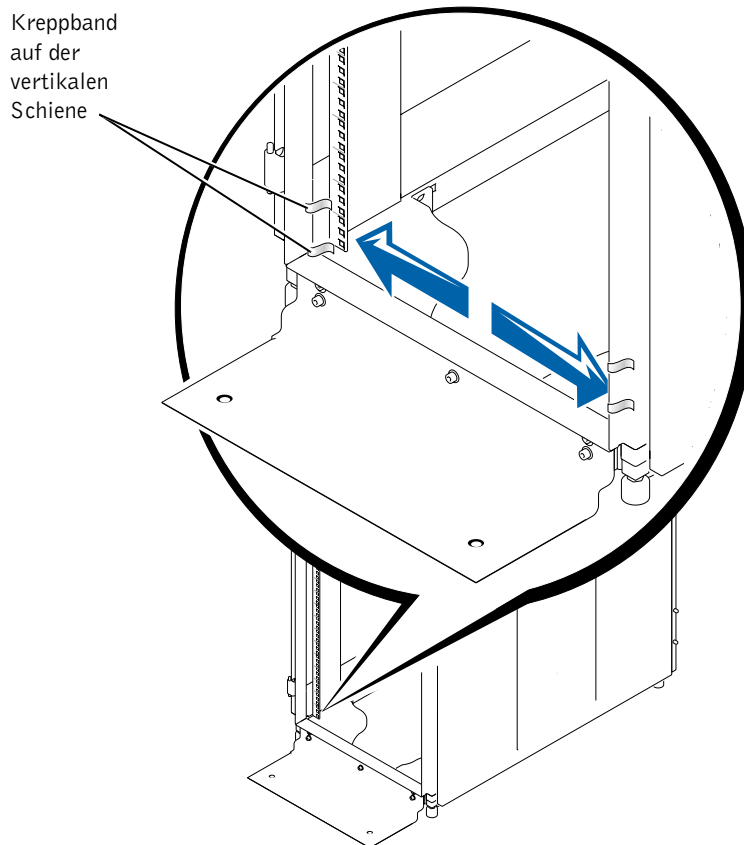
Um das Rack markieren, gehen Sie wie folgt vor:

- 1 Bringen Sie auf den vorderen vertikalen Schienen des Racks eine Markierung an der Stelle an, an der sich die Unterseite des Systems befinden soll, das Sie in den Gestellschrank einbauen.


Die Unterkante jeder 1-U-Einheit befindet sich in der Mitte des schmalsten Metallstücks zwischen den Löchern (auf einigen Gestellschränken mit einer horizontalen Linie gekennzeichnet – siehe Abbildung 3-3).

- 2 Bringen Sie 4,4 cm (1,75 Zoll) über Ihrer Originalmarkierung eine Markierung an (oder zählen Sie in einem Rack nach EIA-310-Standard drei Löcher nach oben). Markieren Sie die vorderen vertikalen Schienen mit einem Filzstift oder einem Stück Kreppband (falls Sie die Löcher gezählt haben, bringen Sie direkt über dem oberen Loch eine Markierung an). Diese Markierung bzw. das Kreppband zeigt an, wo sich die Oberkante des Systems an den vertikalen Schienen später befinden wird (siehe Abbildung 3-4).

Abbildung 3-4. Markieren der vertikalen Schienen



Installation der RapidRails-Schiebeeinheiten

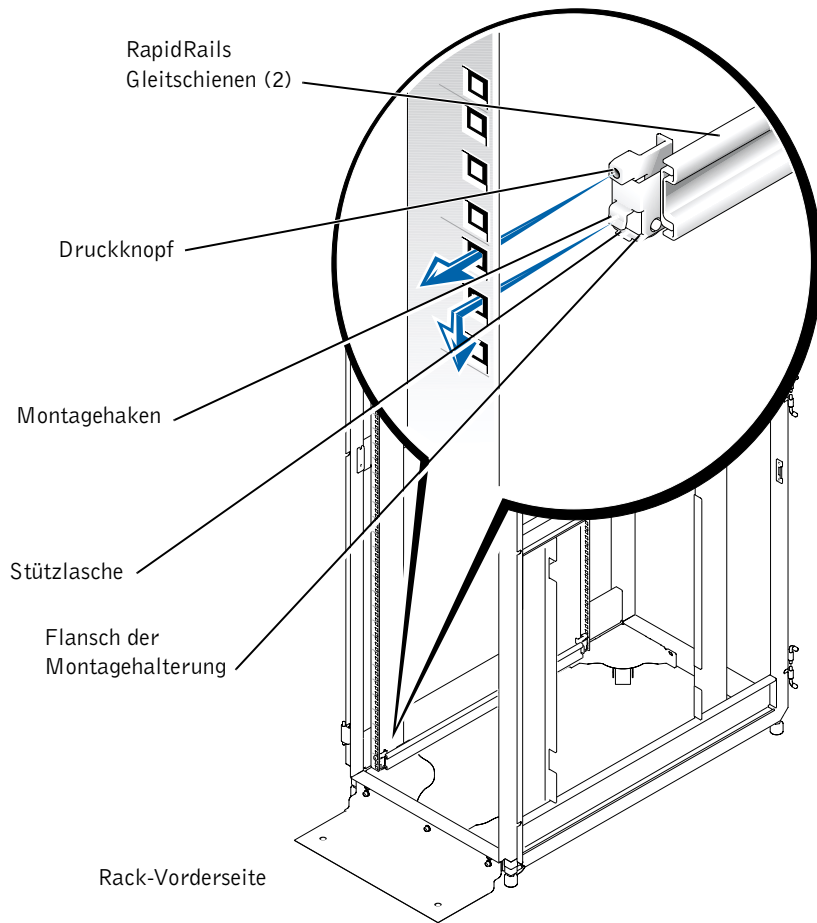
 **HINWEIS:** Wenn die Innenschienen in ihren Schieneneinheiten installiert sind, entfernen Sie sie, bevor sie weiterarbeiten.

- 1** Setzen Sie eine der RapidRails-Gleitschienen so an der Vorderseite des Gestellschranks an, dass der zugehörige Montagehalterungsflansch zwischen die Markierungen oder das Kreppband an dem Rack zu liegen kommt (siehe Abbildung 3-4).


Der Montagehaken in der Mitte des Schiebeeinheit-Montagehalterungsflanschs sollte in das Loch in der Mitte zwischen Ihren Markierungen passen.

- 2** Drücken Sie die Gleitschiene nach vorn, bis die Montagehaken in ihren rechteckigen Löchern auf der vertikalen Schiene positioniert sind. Drücken Sie dann den Montagehalterungsflansch nach unten, bis die Montagehaken in die rechteckigen Löcher eingerastet sind, der blaue Druckknopf herauspringt und ein Klicken zu hören ist.
- 3** Ziehen Sie an der Rückseite des Gestellschranks den Flansch der Montagehalterung nach hinten, bis die Montagehaken in den zugehörigen Löchern positioniert sind. Drücken Sie dann den Montagehalterungsflansch nach unten, bis die Montagehaken in die rechteckigen Löcher eingerastet sind, der blaue Druckknopf herauspringt und ein Klicken zu hören ist.
- 4** Wiederholen Sie die Schritte 1 bis 3 für die verbleibenden Gleitschienen auf der anderen Seite des Racks.
- 5** Achten Sie darauf, dass die Schienen auf jeder Rack-Seite jeweils an der gleichen Stelle auf den vertikalen Schienen montiert werden.

Abbildung 3-5. Installation der RapidRails-Schiebeeinheiten



Installation der VersaRails-Schiebeeinheiten

 **HINWEIS:** Wenn die Innenschienen in ihren Schieneneinheiten installiert sind, entfernen Sie sie, bevor sie weiterarbeiten.

- 1 Positionieren Sie eine der VersaRails-Gleitschienen so an der Vorderseite des Gestellschranks, dass der zugehörige Montagehalterungsflansch zwischen die Markierungen / Kreppbänder (oder an die Markierung mit der korrekten Zahl) am Rack passt (siehe Abbildung 3-4).

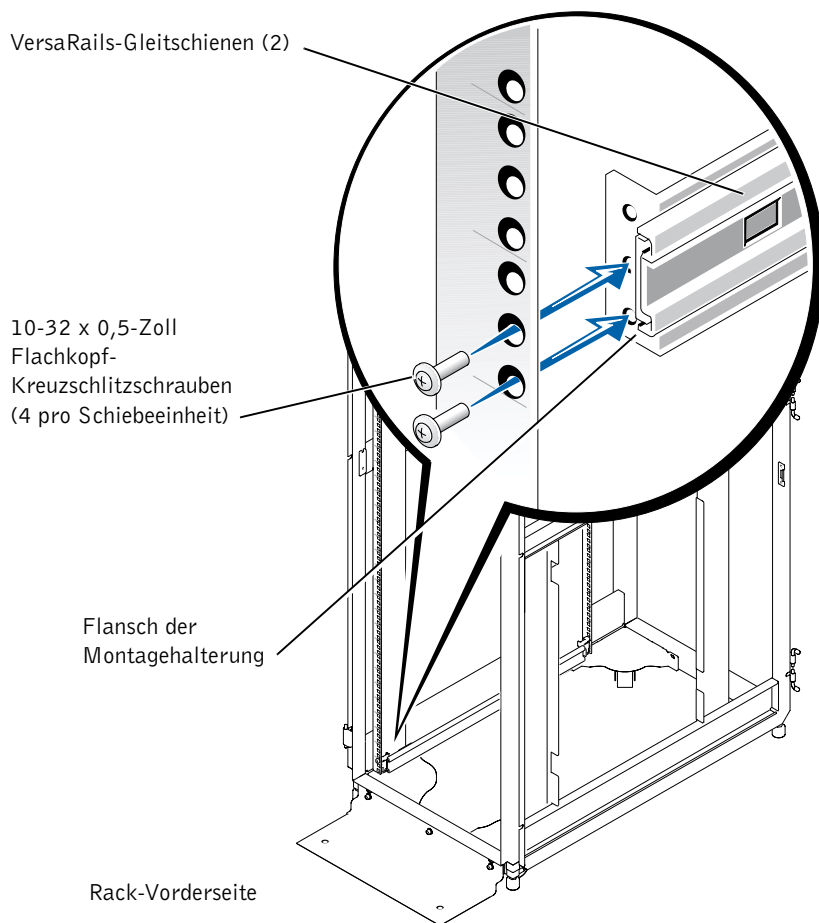
Die drei Löcher auf der Vorderseite der Montagehalterung sollten mit den drei Löchern zwischen Ihren Markierungen auf den vertikalen Schienen (oder den drei Löchern an der Markierung mit der gewünschten Nummer) übereinstimmen.

- 2 Befestigen Sie die Schiebeeinheit durch je eine 10-32 x 0,5 Zoll (1,27 cm) Flachkopf-Kreuzschlitzschraube im mittleren und unteren Loch des Montageflanschs an der vorderen vertikalen Schiene (siehe Abbildung 3-6).
- 3 Ziehen Sie den Montagehalterungsflansch auf der Gestellschrank-Rückseite nach hinten, bis seine Montagelöcher mit den rechteckigen Löchern auf der hinteren vertikalen Schiene ausgerichtet sind.
- 4 Sind die Löcher des Racks rechteckig, befestigen Sie die Schiebeeinheit durch je eine 10-32 x 0,5 Zoll (1,27 cm) Flachkopf-Kreuzschlitzschraube im mittleren und unteren Loch des Montageflanschs an der hinteren vertikalen Schiene.

Sind die Löcher des Racks rund, befestigen Sie die Schiebeeinheit mit einer 10-32 x 0,5 Zoll (1,27 cm) Flachkopf-Kreuzschlitzschraube im mittleren Loch des Montageflanschs an der hinteren vertikalen Schiene.

- 5 Wiederholen Sie die Schritte 1 bis 4 für die verbleibenden Gleitschienen auf der anderen Seite des Racks.
- 6 Achten Sie darauf, dass die Schienen auf jeder Rack-Seite jeweils an der gleichen Stelle auf den vertikalen Schienen montiert werden.

Abbildung 3-6. Installation der VersaRails-Schiebeeinheiten



Installation der Innenschienen

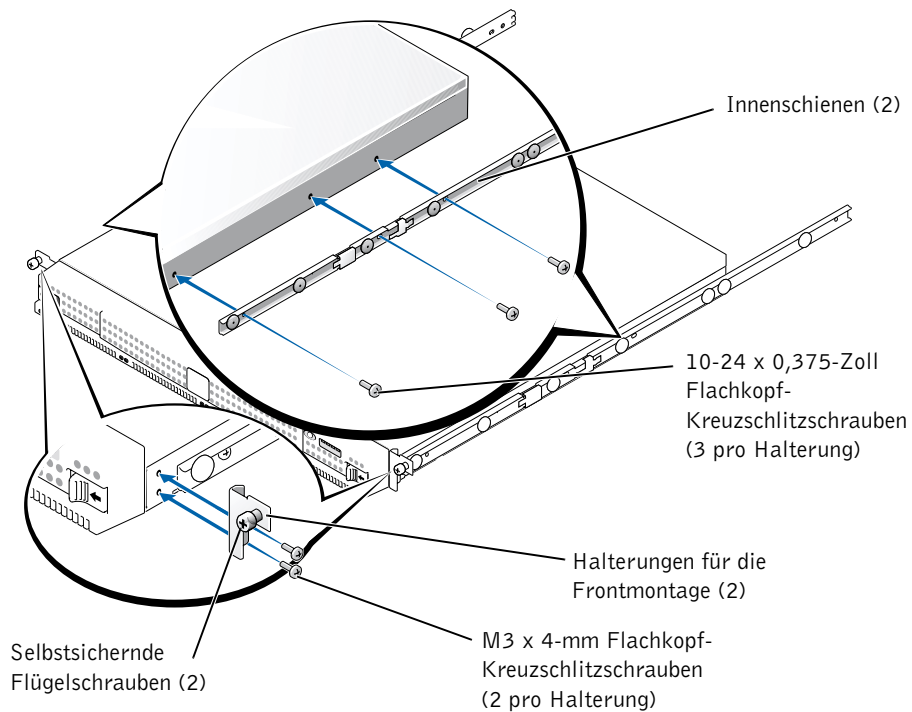
Um die Innenschienen an den Seiten des Systems zu installieren, führen Sie folgende Schritte aus:

⚠ VORSICHT: Das System kann sehr schwer sein, wenn es vollständig beladen ist. Um Verletzungen zu vermeiden, versuchen Sie nicht, das System allein zu bewegen.

- 1 Setzen Sie die Innenschiene neben das Systemgehäuse (siehe Abbildung 3-7).
- 2 Schrauben Sie die Innenschiene an der Seite des Chassis mit drei 10-24 x 0,375-Zoll-Flachkopfschrauben fest (siehe Abbildung 3-7).
- 3 Befestigen Sie die vorderen Montagehalterungen links und rechts an der Vorderseite des Gehäuses. Verwenden Sie dazu M3 x 4-mm Flachkopf-Kreuzschlitzschrauben (siehe Abbildung 3-7).

In die vorderen Montagehalterungen ist **L** (für links) bzw. **R** (für rechts) eingestanzt. So erkennen Sie, auf welcher Gehäuseseite (von vorne gesehen) die Halterungen einzubauen sind.

Abbildung 3-7. Installation der Innen-Schienen



Installation des Systems im Rack



VORSICHT: Wenn Sie mehr als ein System installieren, installieren Sie das erste System in der untersten möglichen Position im Rack.



VORSICHT: Ziehen Sie niemals mehr als eine Komponente gleichzeitig aus dem Rack heraus.

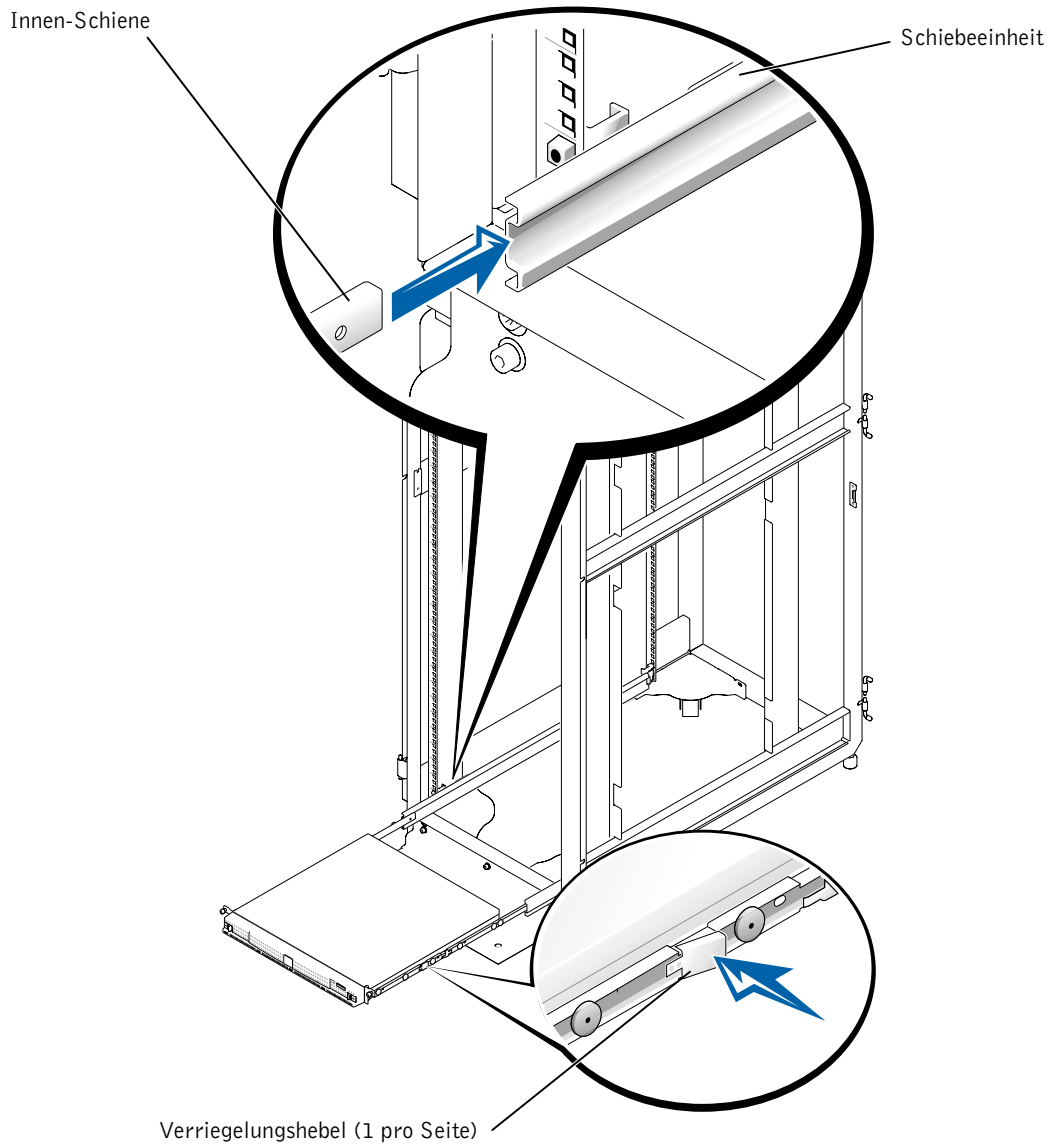
- 1 Ziehen Sie die beiden Schiebeeinheiten aus dem Rack, bis sie in der ausgezogenen Position einrasten.



VORSICHT: Wegen der Größe und des Gewichts des Systems versuchen Sie niemals, das System allein in den Schiebeeinheiten zu installieren.

- 2 Heben Sie das System in Position vor die herausgezogenen Schiebeeinheiten.
- 3 Bringen Sie die Innen-Schienen, die Sie an der Seite des Systems installiert haben mit dem offenen Teil der Schiebeeinheiten in Übereinstimmung (siehe Abbildung 3-8).
- 4 Schieben Sie das System bis zum Anschlag in die Schiebeeinheiten (siehe Abbildung 3-8).
- 5 Drücken Sie auf die Sperrklinke an jeder ausgezogenen Schiebeeinheit und schieben Sie das Chassis in das Rack (siehe Abbildung 3-8).
- 6 Befestigen Sie das System im Rack, indem Sie die selbstsichernden Flügelschrauben an der Gehäuse-Frontplatte festschrauben.

Abbildung 3-8. Installation des Systems im Rack



Installation des Kabelarms

Um den Kabelarm an der Rückseite des Systems zu installieren, führen Sie folgende Schritte aus:

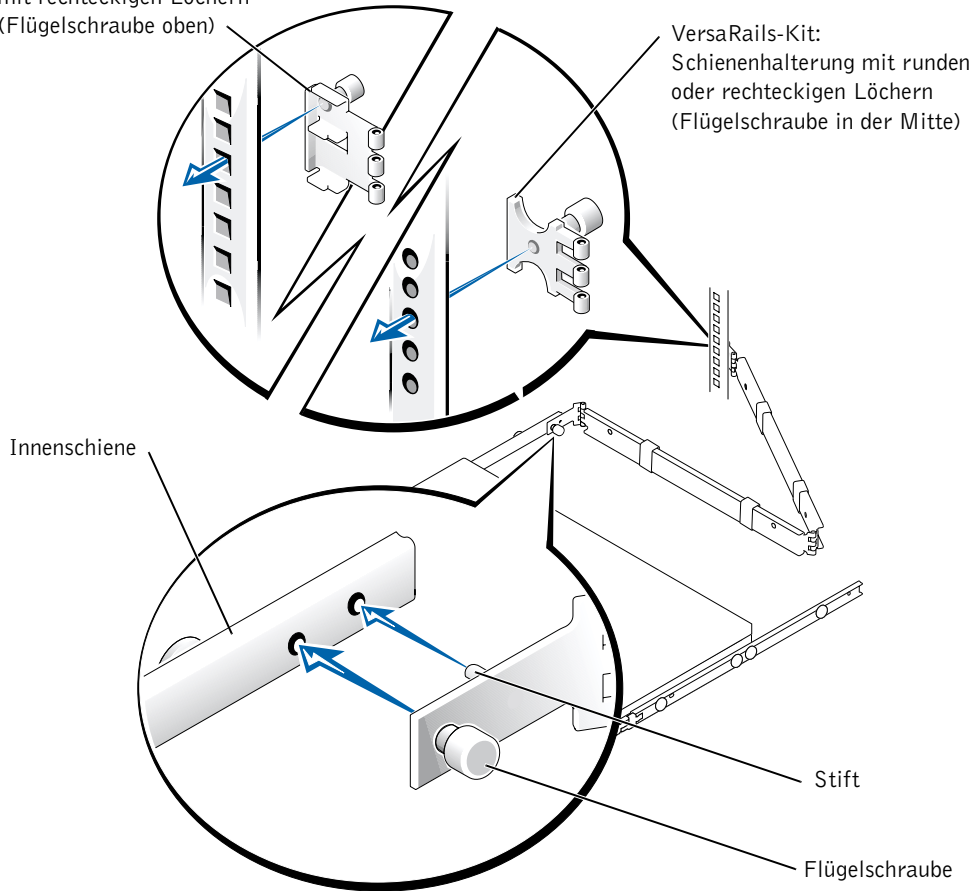
- 1** Stellen Sie sich hinter den Gestellschrank und suchen Sie das freie Loch (die freien Löcher) in der rechten vertikalen Schiene, an der Sie die Schiebeeinheit befestigt haben.
- 2** Bei der Installation des RapidRails-Kits befestigen Sie den Kabelarm mit der Flügelschraube oben auf der Halterung (siehe Abbildung 3-9).
Bei der Installation des VersaRails-Kits befestigen Sie den Kabelarm mit der Flügelschraube in der Mitte der Halterung (siehe Abbildung 3-9).
- 3** Befestigen Sie die Halterung mit ihrer Flügelschraube auf der Hinterseite der rechten vertikalen Schiene, dort wo die Schiebeeinheit montiert ist.
Die Flügelschraube wird in den Löchern befestigt, die bei der Montage der Schiebeeinheiten frei geblieben sind.
- 4** Setzen Sie das freie Ende des Kabelarms (das Ende mit dem Stift und der selbstsichernden Flügelschraube) an der Rückseite der rechten Innenschiene des Systems (von der Rückseite aus gesehen) an.
- 5** Befestigen Sie den Kabelarm mit der selbstsichernden Flügelschraube an der Innenschiene (siehe Abbildung 3-9).
- 6** Schließen Sie die Eingangs-/Ausgangs-(I/O-) Kabel an die entsprechenden Anschlüsse auf der Rückseite des Systems an.
- 7** Schließen Sie die restlichen Kabel am System an.
Näheres hierzu finden Sie in der *Anleitung zur Installation und Fehlersuche* und in der *Bedienungsanleitung*.
- 8** Befestigen Sie die Kabel am Kabelarm:
 - a** Wenn Sie die Kabel am System angeschlossen haben, schrauben Sie die Flügelschrauben heraus, mit denen die Vorderseite des Systems an der vorderen vertikalen Schiene befestigt ist.
 - b** Schieben Sie das System bis zum Anschlag heraus.
 - c** Führen Sie die Kabel entlang des Kabelarms, wobei Sie an den Positionen der Scharniere zusätzliches Spiel im Kabel lassen, und befestigen Sie die Kabel mit den Klettverschluss-Streifen am Kabelarm.

- 9 Schieben Sie das System in das Rack hinein und ziehen Sie es wieder heraus, um zu überprüfen, ob die Kabel korrekt verlegt sind und bei Bewegung des Kabelarms nicht klemmen, sich dehnen oder gequetscht werden.

Abbildung 3-9. Installation des Kabelarms

RapidRails-Kit: Schienenhalterung mit rechteckigen Löchern (Flügelschraube oben)

VersaRails-Kit: Schienenhalterung mit runden oder rechteckigen Löchern (Flügelschraube in der Mitte)



HINWEIS: Wenn Sie das System vollständig herausziehen, werden die Schiebeneinheiten in der ausgezogenen Position verriegelt. Um das System in das Rack zurückzuschieben, lösen Sie die Verriegelung durch Drücken auf die Sperrklinke an der Seite der Schiebeneinheit (siehe Abbildung 3-8) und schieben Sie das System komplett in das Rack.

Einsetzen der Rack-Türen

Weitere Informationen über das Einsetzen der Türen finden Sie in der Dokumentation zu den Gestellschränken Dell 24-U bzw. 42-U. Wenn Ihr Gestellschrank kein Dell-Produkt ist, lesen Sie die Anleitungen des Herstellers zum Wiederanbringen der Türen.



VORSICHT: Wegen der Größe und des Gewichts der Gestellschranktüren sollten Sie keinesfalls versuchen, sie ohne fremde Hilfe abzunehmen oder einzubauen.

Damit ist die Rack-Installation Ihres Systems abgeschlossen.

Index

A

Abgebildete Komponenten
RapidRails-Kit, 3-4
VersaRails-Kit, 3-6

D

Dell-Website, 3-10

I

In der Liste angegebener
Inhalt
RapidRails-Kit, 3-3
VersaRails-Kit, 3-5
Inhalt des RapidRails-Kit, 3-3
Inhalt des VersaRails-Kits, 3-5
Installation im Rack
Kabelarm, 3-19
System, 3-15, 3-17, 3-18

K

Kabelarm, 3-19
Einbau, 3-19
Verlegen der Kabel, 3-19
Kit-Inhalt
RapidRails, 3-3
VersaRails, 3-6

M

Markieren des Racks, 3-9

R

Rack-Anforderungen anderer
Anbieter, 3-7
Rack-Einheit, 3-10
Rack-Stabilisatoren, 3-7
RapidRails-Kit, Inhalt, 3-3

S

Sicherheitshinweise, 3-1
System
Installation im Rack, 3-15

T

Türen
Abnehmen, 3-8
einsetzen, 3-21

V

Verlegen der Kabel, 3-19
VersaRails
Kit-Inhalt, 3-5, 3-6
Rack-Anforderungen anderer
Anbieter, 3-7
Vertikale Schienen
Eine Rack-Einheit, 3-10
Markieren, 3-9
Vorsichtsmaßnahmen bei der
Montage im Rack, 3-7

W

Werkzeuge und Zubehör, 3-8

Sistemas Dell™

Guía de montaje del rack



Notas, avisos y precauciones



NOTA: una NOTA indica información importante que le ayudará a usar mejor su ordenador.



AVISO: un AVISO indica un posible daño en el hardware o la pérdida de datos, e informa de cómo evitar el problema.



PRECAUCIÓN: un mensaje de **PRECAUCIÓN** indica la posibilidad de que el equipo resulte averiado, de sufrir lesiones personales o incluso la muerte.

La información de este documento está sujeta a modificaciones sin previo aviso.
© 2001 Dell Computer Corporation. Reservados todos los derechos.

Queda prohibida su reproducción en cualquier medio sin la autorización por escrito de Dell Computer Corporation.

Marcas comerciales que aparecen en el texto: *Dell*, el logotipo de *DELL*, *PowerEdge*, *VersaRails* y *RapidRails* son marcas comerciales de Dell Computer Corporation.

En este documento pueden utilizarse otras marcas y nombres comerciales para referirse a las entidades propietarias de dichas marcas y nombres o a sus productos. Dell Computer Corporation renuncia a cualquier derecho sobre las marcas y nombres comerciales que no sean de su propiedad.

Octubre de 2001 P/N 7H850 Rev. A01

Contenido

- Instrucciones de seguridad 4-1**
- Instrucciones de instalación 4-2**
 - Contenido del kit de rack RapidRails 4-2
 - Contenido del kit de rack VersaRails 4-4
 - Requisitos para racks que no sean Dell 4-6
- Antes de empezar 4-6**
 - Información de seguridad importante 4-6
 - Pie estabilizador para el rack 4-6
 - Herramientas y suministros recomendados 4-7
 - Tareas de montaje 4-7
- Desmontaje de las puertas del rack 4-7**
- Marcado del rack 4-8**
- Montaje de los conjuntos deslizantes RapidRails 4-11**
- Montaje de los conjuntos deslizantes VersaRails 4-13**
- Montaje de las guías interiores 4-15**
- Montaje del sistema en el rack 4-16**
- Montaje de la extensión para tendido de cables 4-18**
- Colocación de las puertas del rack 4-20**

Índice

Figuras

Figura 4-1.	Contenido del kit de rack RapidRails	4-3
Figura 4-2.	Contenido del kit de rack VersaRails	4-5
Figura 4-3.	Una unidad de rack	4-8
Figura 4-4.	Marcado de las guías verticales	4-10
Figura 4-5.	Montaje de los conjuntos deslizantes RapidRails.	4-12
Figura 4-6.	Montaje de los conjuntos deslizantes VersaRails.	4-14
Figura 4-7.	Montaje de las guías interiores.	4-15
Figura 4-8.	Montaje del sistema en el rack.	4-17
Figura 4-9.	Montaje de la extensión para tendido de cables.	4-19


Instrucciones de seguridad


Siga estas directrices de seguridad, con el fin de garantizar su propia seguridad y la del servidor, sistema de almacenamiento o equipo frente a daños potenciales. Para obtener información completa acerca de la seguridad, las normas y la garantía, consulte el documento *Información del sistema*.


Precauciones para los productos montados en rack

Tenga en cuenta estas precauciones para garantizar la estabilidad y seguridad del rack. Consulte también la documentación de montaje en rack que se suministra con el sistema y el rack para conocer las indicaciones y los procedimientos específicos de advertencia y precaución.

Los servidores, sistemas de almacenamiento y equipos se consideran componentes del rack. Por lo tanto, “componente” se refiere a cualquier servidor, sistema de almacenamiento o equipo, así como a los distintos periféricos o al hardware de soporte.

 **PRECAUCIÓN:** la instalación de componentes de sistemas en un rack sin los estabilizadores delanteros o laterales montados puede hacer que vuelque el rack, hecho que puede llegar a producir lesiones personales en ciertas circunstancias. Por tanto, monte siempre los estabilizadores antes de montar los componentes en el rack.

 **PRECAUCIÓN:** después de montar los sistemas o componentes en un rack, nunca extraiga más de un componente sobre sus conjuntos deslizantes de forma simultánea. El peso de más de un componente extendido puede hacer que vuelque el rack y lesionar a alguien.

 **NOTA:** el sistema Dell™ está homologado en cuanto a seguridad como unidad autónoma y como componente para su uso en un armario rack utilizando el kit de rack para clientes de Dell. El montaje del sistema y kit de rack en armarios rack de otra marca que no sea Dell no ha sido aprobado por ninguna agencia de seguridad. Es responsabilidad del cliente la evaluación, por parte de una agencia de seguridad certificada, de la combinación de sistema y kit de rack montados en armarios rack de otras marcas que no sean Dell. Dell declina toda responsabilidad y garantías relacionadas con tales combinaciones.

- Los kits para rack están concebidos para su montaje en un rack por parte de técnicos de servicio con experiencia. Si monta el kit en cualquier otro rack, éste debe cumplir las especificaciones de un rack Dell.
- No mueva racks de gran tamaño sin ayuda. Debido a la altura y el peso del rack, se recomienda un mínimo de dos personas para realizar dicha tarea.
- Antes de trabajar en el rack, los estabilizadores deben estar fijados en el rack, deben llegar al suelo y todo el peso del rack debe descansar sobre el suelo. Asimismo, monte los estabilizadores delanteros y laterales en un único rack, o los estabilizadores delanteros para varios racks unidos.


- Cargue siempre el rack desde la parte inferior hacia arriba, colocando en primer lugar el elemento más pesado.
- El rack debe estar nivelado y estabilizado antes de extraer un componente.
- Tenga cuidado al presionar los pestillos de liberación de las guías de componentes y al extraer o volver a introducir un componente en el rack, puesto que puede pillarse los dedos con las guías deslizantes.
- Una vez insertado un componente en el rack, extienda con cuidado la guía hasta su posición de bloqueo y deslice el componente hacia el interior del rack.
- No sobrecargue el ramal del circuito de alimentación de CA que suministra energía al rack. La carga total del rack no debe ser superior al 80 por ciento del valor nominal del ramal del circuito.
- Los componentes del rack deben disponer de suficiente circulación de aire.

No se suba ni se apoye en ningún sistema o componente al reparar otros sistemas o componentes del rack.

Instrucciones de instalación

Esta guía de montaje proporciona instrucciones para técnicos de servicio formados que instalen uno o más sistemas en un armario rack Dell o en un armario rack no fabricado por Dell. El kit de rack RapidRails™ se puede montar en todos los armarios racks de Dell™, y el kit de rack VersaRails™ se puede instalar en la mayoría de los armarios rack estándar del sector. Los procedimientos para montar los kits de racks RapidRails y VersaRails son similares. Para cada sistema que se vaya a montar en el armario rack se precisa un kit de rack.

Antes de llevar a cabo la instalación, lea detenidamente el documento completo.

 **PRECAUCIÓN: no instale componentes del kit de rack que se hayan diseñado para otro sistema. Utilice únicamente el kit de rack para su sistema. Si utiliza un kit de rack para otro sistema, pueden causarse daños en el sistema y lesiones personales tanto a uno mismo como a otros.**

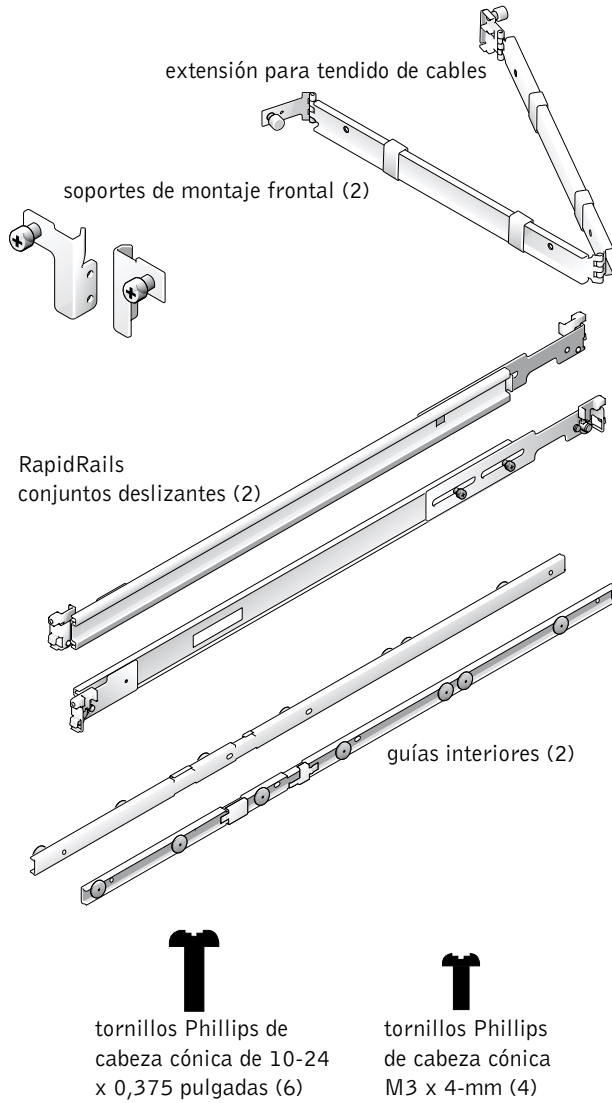
Contenido del kit de rack RapidRails

El kit de rack RapidRails consta de los elementos siguientes (remítase a la Figura 4-1):

- Un par de conjuntos deslizantes RapidRails
- Un par de soportes de montaje frontal
- Una extensión para tendido de cables
- Seis tornillos Phillips de cabeza cónica de 10-24 x 0,375 pulgadas
- Cuatro tornillos Phillips de cabeza cónica M3 x 4 milímetros

NOTA: los tornillos no métricos que se describen en las ilustraciones y en los pasos de los procedimientos se identifican por el tamaño y el número de roscas por pulgada. Por ejemplo, un tornillo Phillips del nº 10 con 32 roscas por pulgada se identifica como un tornillo 10-32.

Figura 4-1. Contenido del kit de rack RapidRails



Contenido del kit de rack VersaRails

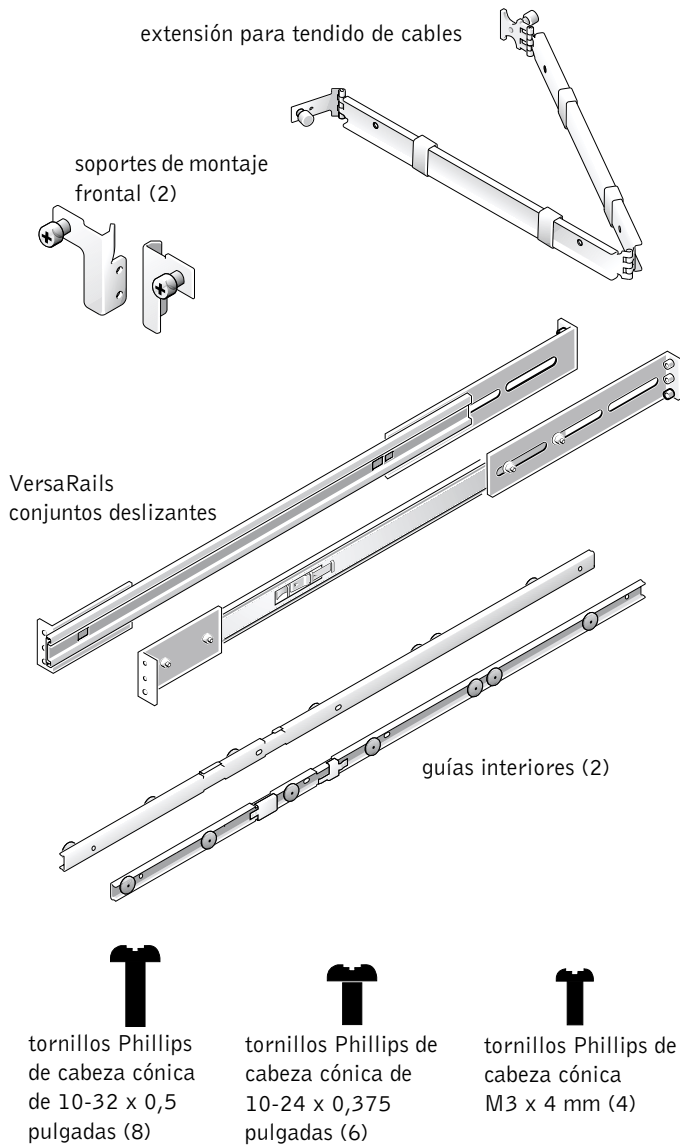
El kit de rack VersaRails se compone de los elementos siguientes (remítase a la Figura 4-2):

- Un par de conjuntos deslizantes VersaRails
- Un par de soportes de montaje frontal
- Una extensión para tendido de cables
- Ocho tornillos Phillips de 10-32 x 0,5 pulg.
- Seis tornillos Phillips de cabeza cónica de 10-24 x 0,375 pulgadas
- Cuatro tornillos Phillips de cabeza cónica M3 x 4 mm



NOTA: Los tornillos no métricos que se describen en las ilustraciones y en los pasos de los procedimientos se identifican por el tamaño y el número de roscas por pulgada. Por ejemplo, un tornillo Phillips del nº 10 con 32 roscas por pulgada se identifica como un tornillo 10-32.

Figura 4-2. Contenido del kit de rack VersaRails





Requisitos para racks que no sean Dell

- ➔ **AVISO:** este kit de rack VersaRails lo deben montar únicamente técnicos de servicio formados en un rack que cumpla con las especificaciones siguientes: American National Standards Institute (ANSI)/Electronic Industries Association (EIA) ANSI/EIA-310-D-92, International Electrotechnical Commission (IEC) 297 y Deutsche Industrie Norm (DIN) 41494. Se precisa un kit de rack para cada sistema que se monte en el rack.

Antes de empezar


Antes de montar el sistema en el rack, lea detenidamente las “Instrucciones de seguridad” en una sección anterior de este documento, así como las instrucciones de seguridad incluidas en el documento Información del sistema para obtener información adicional.

 **PRECAUCIÓN:** cuando monte varios sistemas en un rack, realice todos los procedimientos para el sistema que esté instalando antes de montar el siguiente.


 **NOTA:** para obtener información sobre el procedimiento de instalación del sistema, consulte “Montaje de un sistema en el rack”.


Información de seguridad importante

Cuando monte el sistema en el rack, tome las precauciones de seguridad que se indican en los siguientes apartados.

 **PRECAUCIÓN:** debe seguir estrictamente los procedimientos que se explican en esta guía para protegerse a sí mismo y a otras personas que se puedan ver involucradas. El sistema puede tener una envergadura y un peso considerables por lo que son importantes una preparación y planificación adecuadas para evitar lesiones personales a uno mismo y a otros. Esto es más importante aún cuando se montan sistemas en la parte alta del rack.

Pie estabilizador para el rack

 **PRECAUCIÓN:** el montaje de un sistema en un rack sin los pies estabilizadores delantero y lateral instalados y fijados al suelo podría hacer que volcase el rack, hecho que puede producir lesiones personales en determinadas circunstancias. Por tanto, instale y fije siempre los estabilizadores antes de montar los componentes en el rack.

 **PRECAUCIÓN:** tras instalar sistemas en un rack, nunca extraiga más de un sistema del rack sobre su conjunto deslizante a la vez. El peso de más de un sistema extendido puede hacer que vuelque el rack y causar algún daño.

El pie estabilizador evita que vuelque el rack cuando se extrae más de un sistema u otro componente con el conjunto deslizante totalmente extendido. Consulte la documentación proporcionada con el armario rack para obtener instrucciones sobre el montaje y la fijación del pie estabilizador.

Herramientas y suministros recomendados

Para montar el sistema en un armario rack de cuatro montantes necesita las herramientas y los suministros siguientes:

- Destornillador Phillips del n° 2
- Cinta de enmascaramiento o rotulador de punta de fieltro, para marcar los orificios de montaje necesarios

Tareas de montaje

El montaje de un kit de rack implica las siguientes tareas:

- 1 Desmontaje de las puertas del rack
- 2 Marcado del rack
- 3 Montaje de los conjuntos deslizantes en el rack
- 4 Montaje de las guías interiores
- 5 Montaje del sistema en el rack
- 6 Montaje de la extensión para tendido de cables
- 7 Colocación de las puertas del rack



NOTA: los procedimientos siguientes se aplican tanto a los armarios rack Dell como a los no fabricados por Dell a menos que se especifique.

Desmontaje de las puertas del rack

Consulte los procedimientos para desmontar las puertas en la documentación que se facilita con los armarios rack Dell 24-U y 42-U. Si tiene un armario rack no fabricado por Dell, consulte la documentación del fabricante para desmontar las puertas.



PRECAUCIÓN: debido al tamaño y al peso de las puertas del compartimento del rack, nunca debe intentar una sola persona montarlas ni desmontarlas.



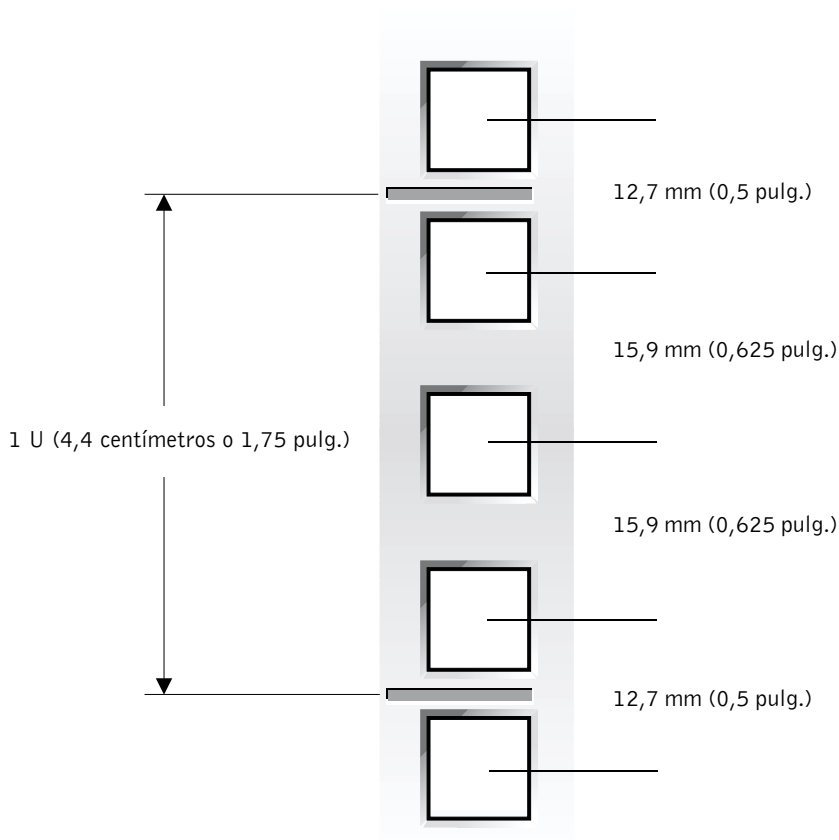
PRECAUCIÓN: guarde las dos puertas donde no puedan lesionar a nadie si caen accidentalmente.

Marcado del rack

Debe dejar 1 U (4,4 centímetros o 1,75 pulgadas) de espacio vertical para cada sistema que monte en el rack. Los armarios rack Dell y los que cumplan con los estándares EIA-310 tienen un patrón alterno de tres orificios por unidad de rack con un espacio entre orificio de centro a centro (comenzando en el orificio superior de un espacio 1-U) de 15,9 mm, 15,9 mm y 12,7 mm (0,625 pulg., 0,625 pulg. y 0,5 pulg.) para las guías verticales frontal y posterior (remítase a la Figura 4-3). Los armarios rack no fabricados por Dell pueden tener orificios redondos o cuadrados.

NOTA: si tiene un armario rack Dell PowerEdge™ 4210, las guías verticales están marcadas con líneas horizontales y números en incrementos de 1-U. Si lo desea, puede crear una nota del número haciendo una marca en la guía vertical del rack. No es necesario marcar o colocar cinta en el rack. Si elige este método, pase directamente al procedimiento “Montaje de conjuntos deslizantes RapidRails”.

Figura 4-3. Una unidad de rack



Para obtener información acerca de los requisitos para el montaje de componentes en un rack, consulte el software Dell Rack Advisor, disponible en el sitio web de Dell, en <http://support.dell.com>.



PRECAUCIÓN: si va a montar más de un sistema, monte los conjuntos deslizantes de modo que el primer sistema se monte en la posición más baja disponible en el rack.

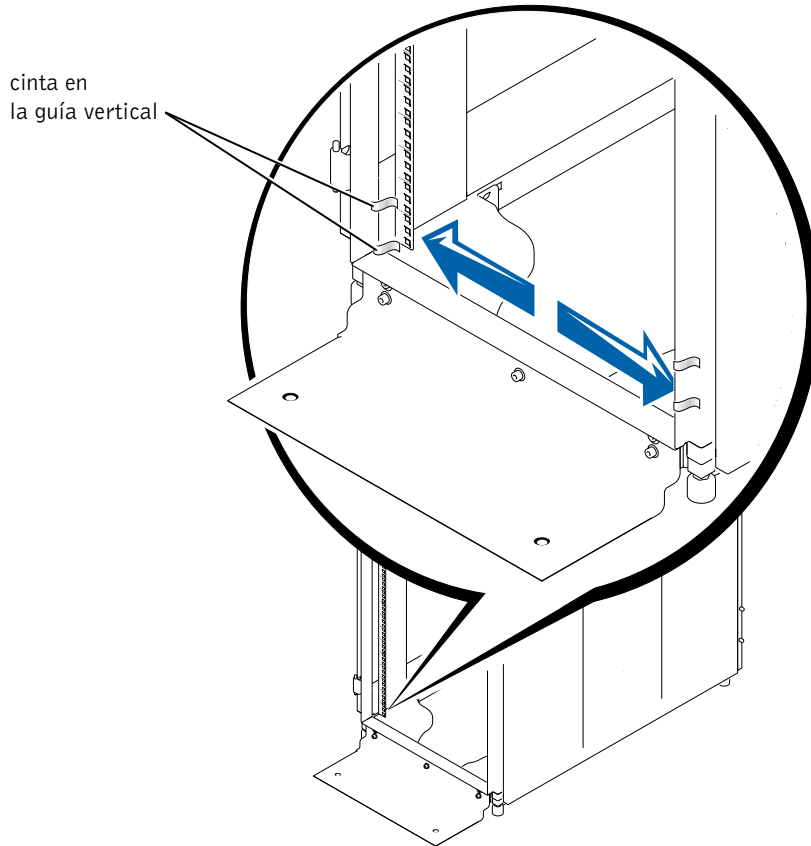
Para marcar el rack, realice los pasos siguientes:

- 1 Coloque una marca en las guías verticales frontales en las que desee colocar la parte inferior del sistema que está instalando en el armario rack.

La parte inferior de cada espacio 1-U se encuentra en medio del espacio metálico más estrecho entre orificios (marcados con una línea horizontal en algunos armarios rack, remítase a la Figura 4-3).

- 2 Coloque una marca a 4,4 centímetros (1,75 pulg.) por encima de la marca original (o cuente tres orificios en un rack que cumpla los estándares EIA-310) y marque las guías verticales frontales del rack con un rotulador de punta de fieltro o coloque cinta de enmascaramiento donde (si ha contado los orificios, coloque una marca encima del orificio superior). Esta marca o trozo de cinta indica dónde se va a situar el borde superior del sistema (remítase a la Figura 4-4).

Figura 4-4. Marcado de las guías verticales



Montaje de los conjuntos deslizantes RapidRails



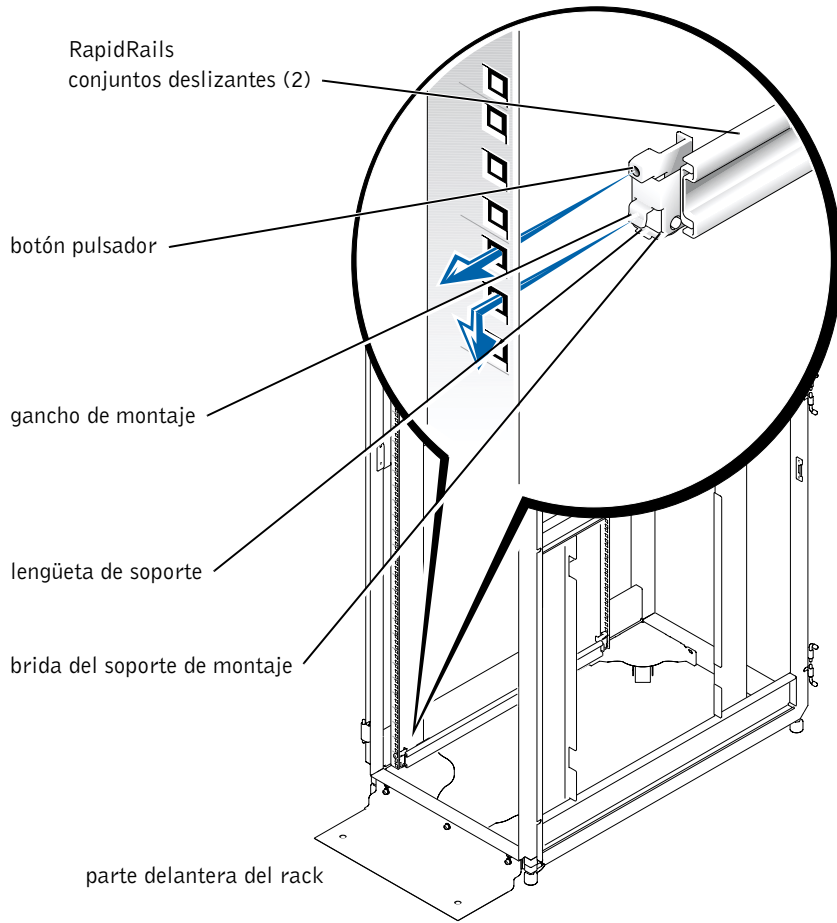
NOTA: si las guías interiores están montadas en sus conjuntos deslizantes, retírelas antes de realizar este procedimiento.

- 1** En la parte frontal del armario rack, coloque uno de los conjuntos deslizantes RapidRails de forma que la brida del soporte de montaje se ajuste perfectamente entre las marcas o la cinta colocada en el rack (remítase a la Figura 4-4).

El gancho de montaje situado en el centro de la brida del soporte de montaje del conjunto deslizante deberá entrar en el orificio central entre las marcas efectuadas en las guías verticales.

- 2** Empuje sobre el conjunto deslizante hacia delante hasta que el gancho de montaje quede colocado en el orificio cuadrado correspondiente de la guía vertical y, a continuación, empuje hacia abajo la brida del soporte de montaje hasta que los ganchos de montaje se introduzcan en los orificios cuadrados, y el pulsador azul salga y emita un clic.
- 3** En la parte posterior del armario, tire hacia atrás de la brida de soporte de montaje hasta que los ganchos de montaje queden colocados en sus orificios cuadrados correspondientes y, a continuación, empuje hacia abajo sobre la brida del soporte de montaje hasta que los ganchos de montaje se introduzcan en los orificios cuadrados y el pulsador azul salga y emita un clic.
- 4** Repita los pasos 1 a 3 para el conjunto deslizante del otro lateral del rack.
- 5** Asegúrese de que las guías están montadas en la misma posición en las guías verticales en cada lado del rack.

Figura 4-5. Montaje de los conjuntos deslizantes RapidRails



Montaje de los conjuntos deslizantes VersaRails



NOTA: si las guías interiores están montadas en sus conjuntos deslizantes, retírelas antes de realizar este procedimiento.

- 1** En la parte frontal del armario rack, coloque uno de los conjuntos deslizantes VersaRails de forma que la brida del soporte de montaje se ajuste perfectamente entre las marcas o la cinta colocada (o la ubicación numerada) en el rack (remítase a la Figura 4-4).

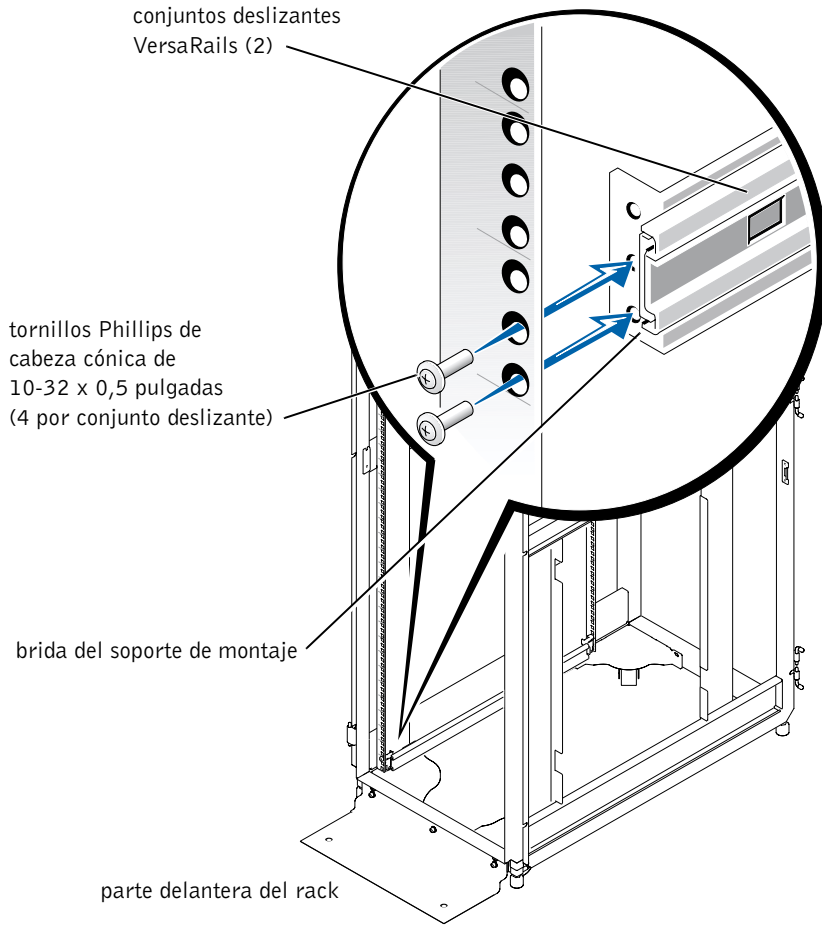
Los tres orificios situados en la parte delantera del soporte de montaje deben estar alineados con los tres orificios situados entre las marcas efectuadas en las guías verticales (o los tres orificios de la ubicación numerada seleccionada).

- 2** Coloque dos tornillos Phillips de cabeza cónica de 10-32 x 0,5 pulg. en los orificios intermedio e inferior de la brida de montaje para sujetar el conjunto deslizante a la guía vertical frontal (remítase a la Figura 4-6).
- 3** En la parte trasera del armario, tire hacia atrás de la brida del soporte de montaje hasta que los orificios de montaje queden alineados con los orificios correspondientes de la guía vertical trasera.
- 4** Si el rack dispone de orificios cuadrados, coloque dos tornillos Phillips de cabeza cónica de 10-32 x 0,5 pulg. en los orificios intermedio e inferior de la brida de montaje para sujetar el conjunto deslizante a la guía vertical frontal.

Si el rack dispone de orificios redondos, coloque un tornillo Phillips de cabeza cónica de 10-32 x 0,5 pulg. en el orificio intermedio de la brida de montaje para sujetar el conjunto deslizante a la guía vertical trasera.

- 5** Repita los pasos 1 a 4 para el conjunto deslizante del otro lateral del rack.
- 6** Asegúrese de que las guías están montadas en la misma posición en las guías verticales en cada lado del rack.

Figura 4-6. Montaje de los conjuntos deslizantes VersaRails



Montaje de las guías interiores

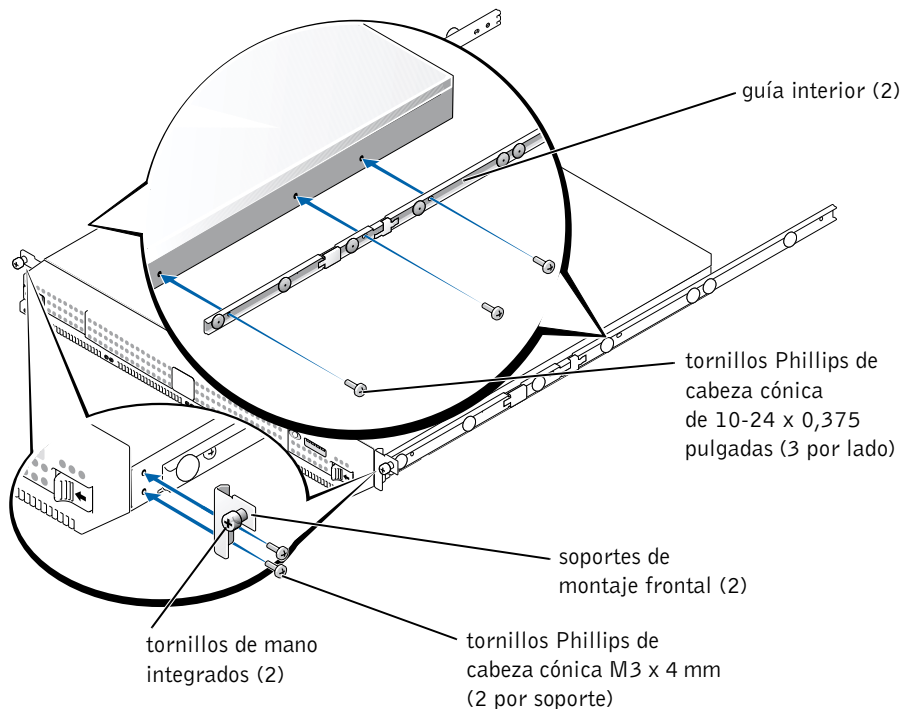
Para montar las guías interiores en los laterales del sistema, siga los pasos siguientes:

⚠ PRECAUCIÓN: el sistema puede tener un peso considerable cuando está totalmente cargado. A fin de evitar lesiones personales, no intente mover el sistema sin ayuda.


- 1 Coloque la guía interior en el lateral del chasis del sistema (remítase a la Figura 4-7).
- 2 Sujete cada una de las guías interiores al lateral del chasis mediante tres tornillos Phillips de cabeza cónica de 10-24 x 0,375 pulg. (remítase a la Figura 4-7).
- 3 Fije cada soporte de montaje frontal a los lados frontal derecho y frontal izquierdo del chasis mediante dos tornillos Phillips de cabeza cónica M3 x 4 milímetros (remítase a la Figura 4-7).

Cada soporte de montaje frontal está marcado con una **L** (izquierdo) o **R** (derecho) para indicar en qué lado del chasis (mirando desde la parte frontal del rack) va a montar cada soporte.

Figura 4-7. Montaje de las guías interiores



Montaje del sistema en el rack

 **PRECAUCIÓN:** si va a montar más de un sistema, monte el primero en la posición más baja que haya disponible en el rack.

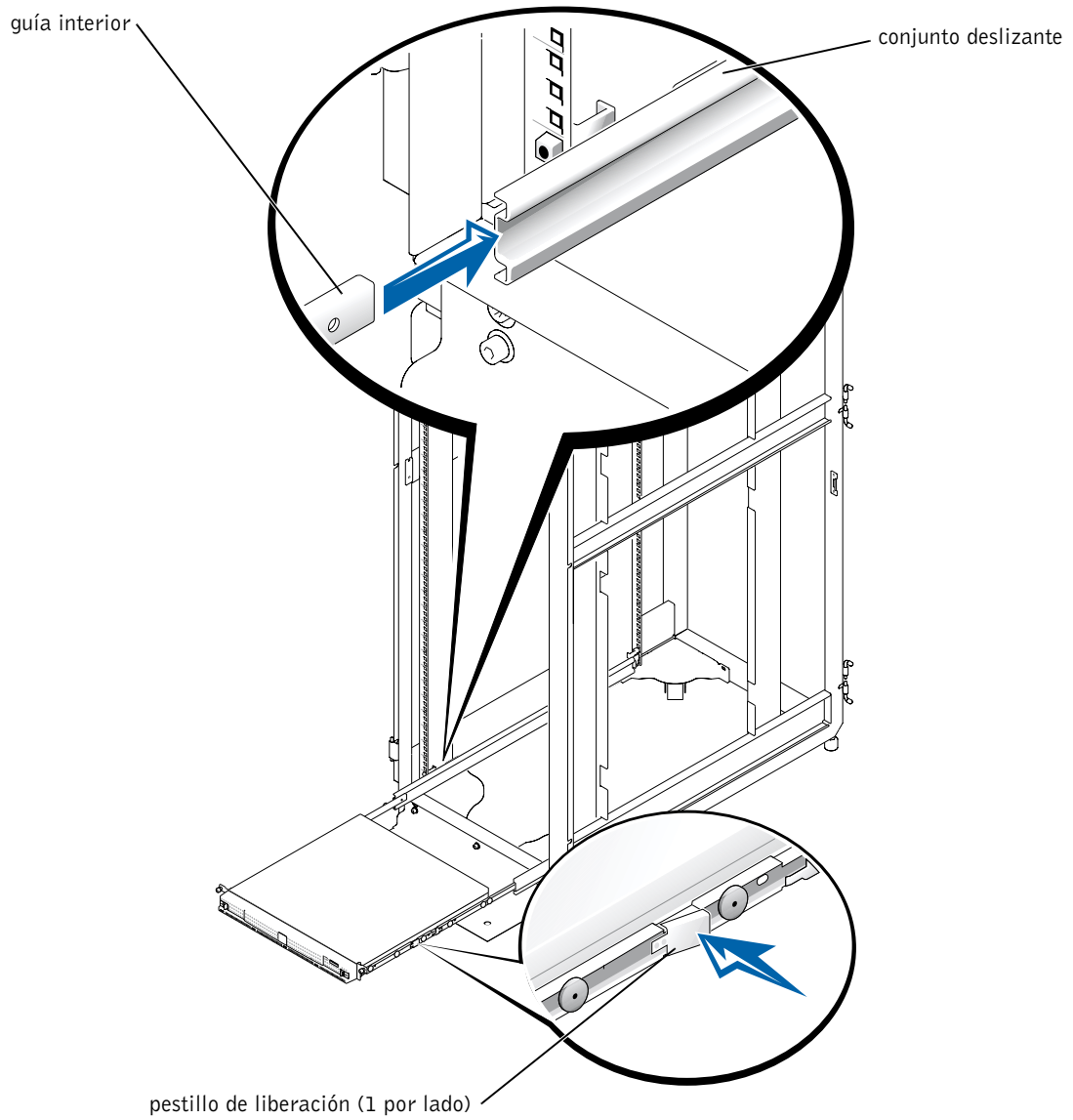
 **PRECAUCIÓN:** nunca extraiga más de un componente del rack a la vez.

- 1 Tire de los dos conjuntos deslizantes hacia fuera del rack hasta que queden bloqueados.

 **PRECAUCIÓN:** debido al tamaño y el peso del sistema, no intente nunca montar el sistema en los conjuntos deslizantes sin ayuda.

- 2 Levante el sistema hasta su posición en la parte delantera de los conjuntos deslizantes.
- 3 Alinee las guías interiores que ha montado en los laterales del sistema con la parte abierta de los conjuntos deslizantes (remítase a la Figura 4-8).
- 4 Empuje el sistema en los conjuntos deslizantes hasta que se detenga (remítase a la Figura 4-8).
- 5 Presione el pestillo de liberación de cada uno de los conjuntos deslizantes extraídos y empuje el chasis en el rack (remítase a la Figura 4-8).
- 6 Apriete los tornillos de mano integrados en cada lado del panel frontal del chasis para sujetar el sistema al rack.

Figura 4-8. Montaje del sistema en el rack



Montaje de la extensión para tendido de cables

Para montar la extensión para tendido de cables en la parte posterior del sistema, siga los pasos siguientes:

- 1** Mirando hacia la parte trasera del armario rack, localice el orificio roscado libre de la guía vertical del lado derecho en el que ha montado el conjunto deslizante.
- 2** Si va a montar el kit RapidRails, monte la extensión para tendido de cables con el tornillo de mano en la parte superior del soporte (remítase a la Figura 4-9).
Si va a montar el kit RapidRails, monte la extensión para tendido de cables con el tornillo de mano en la parte central del soporte (remítase a la Figura 4-9).
- 3** Con los tornillos de mano del soporte, sujete el soporte a la superficie posterior de la guía vertical derecha en el lugar donde está acoplado el conjunto deslizante.
El tornillo de mano se instalará en orificios no utilizados al instalar los conjuntos deslizantes.
- 4** Alinee el extremo libre de la extensión para tendido de cables (el extremo con el pasador y el tornillo de mano integrado) al posterior de la guía interior lateral derecha (mirando desde la parte posterior del sistema).
- 5** Sujete la extensión para tendido de cables a la guía interior mediante el tornillo de mano integrado (remítase a la Figura 4-9).
- 6** Conecte los cables de entrada/salida (E/S) a sus correspondientes conectores situados en el panel trasero del sistema.
- 7** Conecte los demás cables al sistema.

Para obtener más detalles, remítase a la *Guía de instalación y resolución de problemas* y a la *Guía del usuario* de su sistema.

- 8** Fije los cables en la extensión para tendido de cables:
 - a** Después de conectar los cables al sistema, desenrosque los tornillos de mano que sujetan la parte delantera del sistema a la guía vertical delantera.
 - b** Deslice el sistema hacia afuera hasta que esté completamente extraído.
 - c** Tienda los cables a lo largo de la extensión para tendido de cables, dejando algo de holgura en las posiciones de las bisagras, y sujete los cables a la extensión para tendido de cables mediante las tiras de Velcro que lleva fijadas.
- 9** Deslice el sistema dentro y fuera del rack para comprobar que los cables están correctamente tendidos y no quedan doblados, estirados o pinzados con el movimiento de la extensión para tendido de cables.

Figura 4-9. Montaje de la extensión para tendido de cables


kit RapidRails:
soporte para guía con
orificios cuadrados
(tornillo de mano en
la parte superior)

kit VersaRails:
soporte para guía con
orificios redondos o
cuadrados
(tornillo de mano en
el centro)

guía interior


pasador

tornillo de mano

 **NOTA:** al extraer el sistema hasta su posición máxima, los conjuntos deslizantes quedarán bloqueados. Para volver a empujar el sistema en el rack, presione los pestillos de liberación situados en los laterales del conjunto deslizante (remítase a la Figura 4-8) para liberar los cierres y deslice el sistema completamente hasta el interior del rack.

Colocación de las puertas del rack

Consulte los procedimientos para colocar las puertas en la documentación que se facilita con los armarios rack Dell 24-U y 42-U. Si tiene un armario rack no fabricado por Dell, consulte la documentación del fabricante para colocar las puertas.

 **PRECAUCIÓN: debido al tamaño y al peso de las puertas del compartimento del rack, nunca debe intentar una sola persona montarlas ni desmontarlas.**

La conversión de montaje en rack de su sistema ya está terminada.

Índice

C

- contenido del kit
 - RapidRails, 4-2
 - VersaRails, 4-5
- contenido del kit
 - RapidRails, 4-2
- contenido del kit
 - VersaRails, 4-4
- contenido enumerado
 - kit RapidRails, 4-2
 - kit VersaRails, 4-4

E

- extensión para tendido de cables, 4-18
 - montar, 4-18
 - tendido de cables, 4-18

G

- guías verticales
 - marcar, 4-8
 - una unidad de rack, 4-8

H

- herramientas y suministros, 4-7

I

- ilustración de componentes
 - kit RapidRails, 4-3
 - kit VersaRails, 4-5
- instrucciones de seguridad, 4-1

M

- marcado del rack, 4-8
- montaje en rack
 - extensión para tendido de cables, 4-18
 - sistema, 4-15, 4-16, 4-17

P

- pie estabilizador para el rack, 4-6
- precauciones para el montaje en rack, 4-6
- puertas
 - colocar, 4-20
 - desmontar, 4-7

R

- RapidRails, contenido del kit, 4-2
- requisitos para racks que no sean Dell, 4-6

S

- sistema
 - montar en rack, 4-16, 4-17
- sitio web de Dell, 4-9

T

- tendido de cables, 4-18

U

- unidad de rack, 4-8




V

- VersaRails
 - contenido del kit, 4-4, 4-5
 - requisitos para racks que no sean Dell, 4-6

Dell™ システム

ラック取り付けガイド

メモ、注意および警告

-  **メモ**：メモは、コンピュータを使いやすくする為の重要な情報を説明しています。
-  **注意**：注意は、ハードウェアの損傷やデータの損失の可能性を示し、その危険を回避するための方法を説明しています。
-  **警告**：警告は、物的損害、けが、または死亡の原因となる可能性があることを示します。

ここに記載されている内容は予告なく変更されることがあります。

© 2001 すべての著作権は Dell Computer Corporation にあります。

Dell Computer Corporation の書面による許可のない複写は、いかなる形態においても厳重に禁じられています。

本書で使用されている商標について： Dell、DELL ロゴ、PowerEdge、VersaRails、および RapidRails は Dell Computer Corporation の商標です。

本書では、必要に応じて上記記載以外の商標および会社名が使用されている場合がありますが、これらの商標や会社名は、一切 Dell Computer Corporation に所属するものではありません。

2001 年 10 月 P/N 7H850 Rev. A01

目次

安全にお使いいただくための注意	5-1
インストールガイド	5-2
RapidRails ラックキットの内容	5-2
VersaRails ラックキットの内容	5-4
Dell 以外のメーカーのラックの要件	5-6
はじめに	5-6
安全に関する重要な注意	5-6
ラック安定用の脚	5-6
推奨する工具および備品	5-7
取り付け手順	5-7
ラックの扉の取り外し	5-7
ラックに印を付ける	5-8
RapidRails スライドアセンブリの取り付け	5-11
VersaRails スライドアセンブリの取り付け	5-13
内側レールの取り付け	5-15
ラックへのシステムの取り付け	5-16
ケーブル処理アームの取り付け	5-18
ラックの扉の取り付け	5-20

索引



図 5-1	RapidRails ラックキットの内容	5-3
図 5-2	VersaRails ラックキットの内容	5-5
図 5-3	1 ラックユニット	5-8
図 5-4	垂直レールに印を付ける	5-10
図 5-5	RapidRails スライドアセンブリの取り付け	5-12
図 5-6	VersaRails スライドアセンブリの取り付け	5-14
図 5-7	内側レールの取り付け	5-15
図 5-8	ラックへのシステムの取り付け	5-17
図 5-9	ケーブル処理アームの取り付け	5-19


安全にお使いいただくための注意


ご自身の身体の安全を守り、サーバ、ストレージシステム、アプライアンスを損傷から保護するために、以下の点にご注意ください。安全、規則、保証について詳しくは、ご利用のシステムの『システム情報』マニュアルを参照してください。


ラックに設置可能な製品に対する注意点

ラックの安定性や安全性に関して、次の点にご注意ください。特定の警告や注意文および手順については、システムやラックに同梱されているラック取り付けマニュアルを参照してください。

サーバ、ストレージシステム、およびアプライアンスは、ラックに取り付ける部品とみなします。したがって「部品」の用語は、サーバ、ストレージシステム、アプライアンス、および各種周辺装置またはサポートハードウェアを意味します。

 **警告**：ラック正面および横の安定板を取り付けずにラックにシステム部品を取り付けると、ラックが転倒し、けがをする恐れがあります。したがって、必ず安定板を取りつけてからラックに部品を取り付けてください。

 **警告**：ラックにシステム/部品を取り付けた後は、一度に2台以上の部品を、スライドアセンブリのラックから引き出さないでください。重みでラックが転倒し、けがをする恐れがあります。

 **メモ**：お使いの Dell™ システムは、独立型のユニットとして、また、Dell カスタマラックキットで構成される Dell のラックキャビネットに取り付ける部品として、その安全性を保証されています。Dell 以外のメーカーのラックキャビネットに Dell のシステムやラックキットを取り付けることは、どの安全機関でも承認されていません。Dell 以外のメーカーのラックキャビネットに Dell のシステムやラックキットを最終的に組み合わせる場合は、ユーザーが責任を持って認定安全機関で適合性の評価を受けてください。Dell は、上記の組み合わせに関する一切の責任および保証を否認します。

- システムラックキットは、トレーニングを受けたサービス技術者がラックに取り付けます。キットを別のラックに取り付ける場合は、そのラックが Dell のラック仕様に適合するかを確認してください。
- 大型ラックを 1 人で移動しないでください。ラックの高さと重さを考慮して、少なくとも2人以上でラックを移動することをお勧めします。
- ラックを移動する前に、安定板がラックに固定されて床面に伸び、ラックの全重量が床面にかかっていることを確認してください。ラックを移動する前に、1つのラックの場合は正面と横の安定板、複数の組み合わせられたラックの場合は正面の安定板を取り付けます。

- ラックには必ず下から上の順に、最も重いものから設置します。
- 部品をラックから引き出す前に、ラックが平行で安定していることを確認してください。
- 部品レールリリースラッチを押し、部品をラックの中または外にスライドする場合はご注意ください。スライドレールに指をはさまれることがあります。
- 部品をラックに設置したら、レールをロック位置に静かに伸ばし、部品をラックの中にスライドします。
- ラックに電力を送る AC 分岐回路に過重電流を流さないでください。ラックの総負荷が分岐回路定格の 80 パーセントを超えないようにしてください。
- ラックの部品に空気が十分に送られていることを確認します。

ラックの他のシステム / 部品を取り扱っているときに、システム / 部品の上に乗ったり、立ってはいけません。

インストールガイド

このガイドは、Dell ラックキャビネットまたは Dell 以外のメーカーのラックキャビネットに 1 つまたは複数のシステムを取り付ける作業を行う、トレーニングを受けたサービス技術者向けの手順書です。RapidRails™ ラックキットはすべての Dell ラックキャビネットに、VersaRails™ ラックキットは標準的なほとんどのラックキャビネットに取り付けることができます。RapidRails および VersaRails ラックキットの取り付け手順はほとんど同じです。ラックキャビネットに取り付けるシステム 1 基ごとにラックキット 1 セットが必要です。

取り付けを開始する前に、本書の全体を注意してお読みください。

⚠ 警告 : 別のシステム用に設計されたラックキット部品は取り付けないでください。ご使用のシステムに対応したラックキットのみを使用してください。別のシステム用のラックキットを使用すると、システムが損傷し、ご自身や関係者がけがをする恐れがあります。

RapidRails ラックキットの内容

RapidRails ラックキットの内容は次のとおりです (図 5-1 参照) 。

- RapidRails スライドアセンブリ 1 組
- 前部取り付け用ブラケット 1 組
- ケーブル処理アーム 1 本

- 10-24 x 0.375 インチなべ頭プラスネジ 6 本
- M3 x 4 ミリ (mm) なべ頭プラスネジ


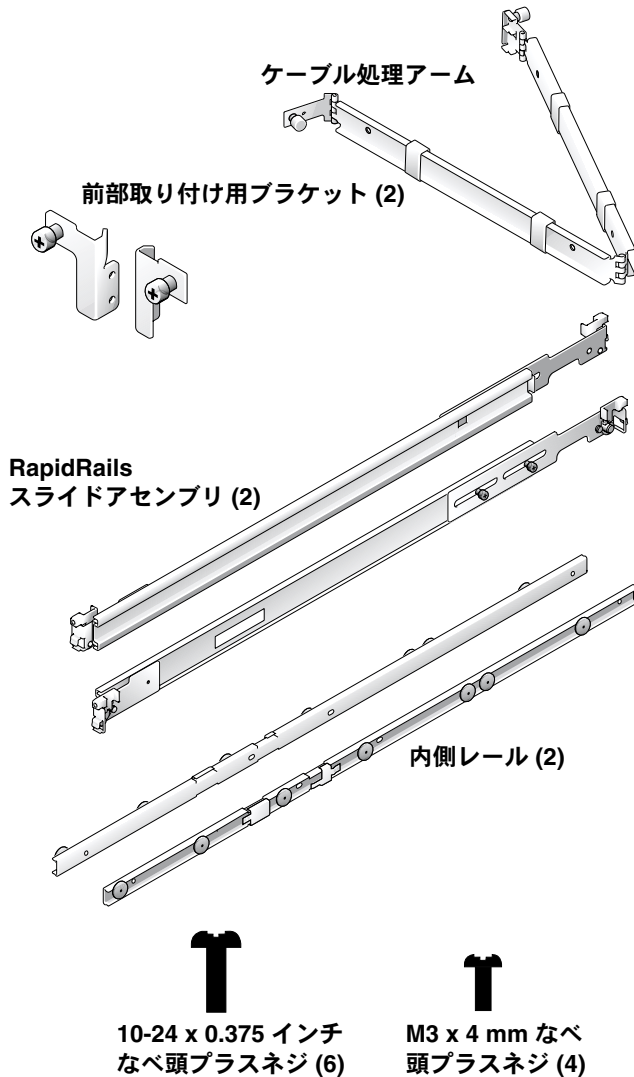
 **メモ** : 図と手順で示されているメートル法規格ではないネジは、サイズとインチ当たりねじ山数で表記されています。たとえば、インチ当たりねじ山数 32 の #10 なべ頭プラスネジは、10-32 の表記になります。

図 5-1. RapidRails ラックキットの内容



VersaRails ラックキットの内容

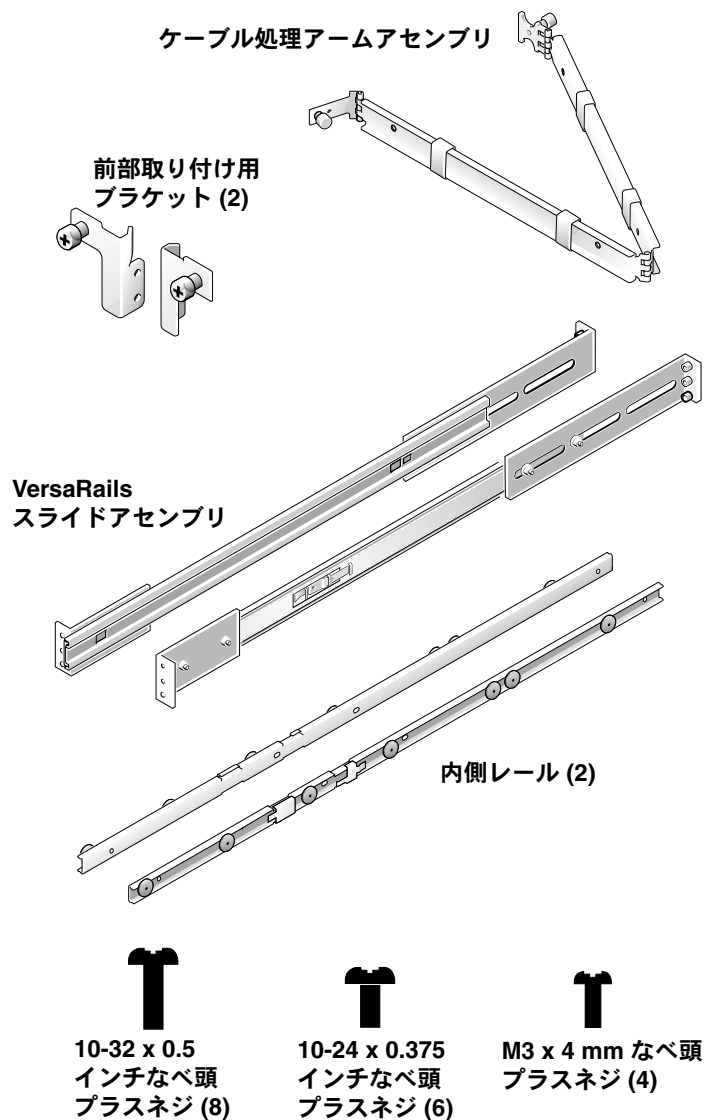
VersaRails ラックキットの内容は次のとおりです (図 5-2 参照)。

- VersaRails スライドアセンブリ 1 組
- 前部取り付け用ブラケット 1 組
- ケーブル処理アーム 1 本
- 10-32 x 0.5 インチプラスネジ 8 個
- 10-24 x 0.375 インチなべ頭プラスネジ 6 本
- M3 x 4 mm なべ頭プラスネジ 4 本



メモ : 図と手順で示されているメートル法規格ではないネジは、サイズとインチ当たりねじ山数で表記されています。たとえば、インチ当たりねじ山数 32 の #10 なべ頭プラスネジは、10-32 の表記になります。

図 5-2. VersaRails ラックキットの内容



Dell 以外のメーカーのラックの要件

- ➡ **注意:** 本 VersaRails ラックキットは、トレーニングを受けたサービス技術者が米国規格協会 (ANSI)/ 米国電子工業会 (EIA) 規格 ANSI/EIA-310-D-92、国際電気標準会議 (IEC) 297、ドイツ協業規格 (DIN) 41494 に適合したラックに取り付けます。ラックに取り付けるシステム 1 基ごとにラックキット 1 セットが必要です。

はじめに

システムをラックへ取り付ける前に、本書の冒頭にある「安全にお使いいただくための注意」を注意してお読みください。また、お使いのシステムの『システム情報』マニュアルの「安全にお使いいただくための注意」も参照してください。

- ⚠ **警告:** 複数のシステムをラックに取り付ける場合は、1 基のシステムの手順を完了してから、次のシステムに取り付けに進んでください。
- 📌 **メモ:** システム本体を取り付ける手順については、「ラックへのシステム取り付け」を参照してください。

安全に関する重要な注意

システムをラックに取り付ける場合は、次の各セクションの安全上の注意に従ってください。

- ⚠ **警告:** 作業者は、自分自身と関係者を保護するために、本書の手順を遵守する必要があります。システムは大きく重量があります。自分自身と関係者のけがを防ぐために、きちんと準備をして計画的に作業を進める必要があります。これは、特にシステムをラックの高い位置に取り付ける場合に重要になります。

ラック安定用の脚

- ⚠ **警告:** ラック正面および横の安定用の脚を取り付けずに、また安定用の脚を床に固定せずにラックにシステムを取り付けると、ラックが転倒し、けがをする恐れがあります。したがって、安定用の脚を取り付けて床に固定してから、ラックに部品を取り付けてください。
- ⚠ **警告:** ラックにシステムを取り付けた後は、一度に複数のシステムをスライドアセンブリのラックから引き出さないでください。引き出された複数のシステムの重みでラックが転倒し、けがをする恐れがあります。

安定用の脚は、スライドアセンブリが伸びきった状態でラックからシステムやその他の部品を引き出す際にラックの転倒を防ぎます。安定用の脚を取り付けて床に固定する手順については、ラックキャビネットに付属のマニュアルを参照してください。

推奨する工具および備品


4 柱型ラックキャビネットにシステムを取り付けるには、次の工具と備品が必要です。

- A #2 プラスドライバ
- 取り付け穴に印を付けるために使用するマスキングテープまたはフェルトペン

取り付け手順


ラックキットの取り付けでは、以下のような作業を行います。


- 1 ラックの扉を取り外します。
- 2 ラックに印を付ける
- 3 ラックへのスライドアセンブリの取り付け
- 4 内側レールの取り付け
- 5 ラックへのシステムの取り付け
- 6 ケーブル処理アームの取り付け
- 7 ラックの扉の交換

 **メモ** : 以下の手順は、特に指定がない限り、Dell のラックキャビネットと Dell 以外のメーカーのラックキャビネットの両方に適用されます。

ラックの扉の取り外し

扉を取り外す手順については、Dell 24-U または 42-U ラックキャビネットに付属のマニュアルを参照してください。Dell 以外のメーカーのラックキャビネットの場合は、メーカーのマニュアルを参照して扉を取り外してください。

 **警告** : ラックキャビネットの扉の大きさや重さを考慮して、取り付けまたは取り外しは 1 人では行わないでください。

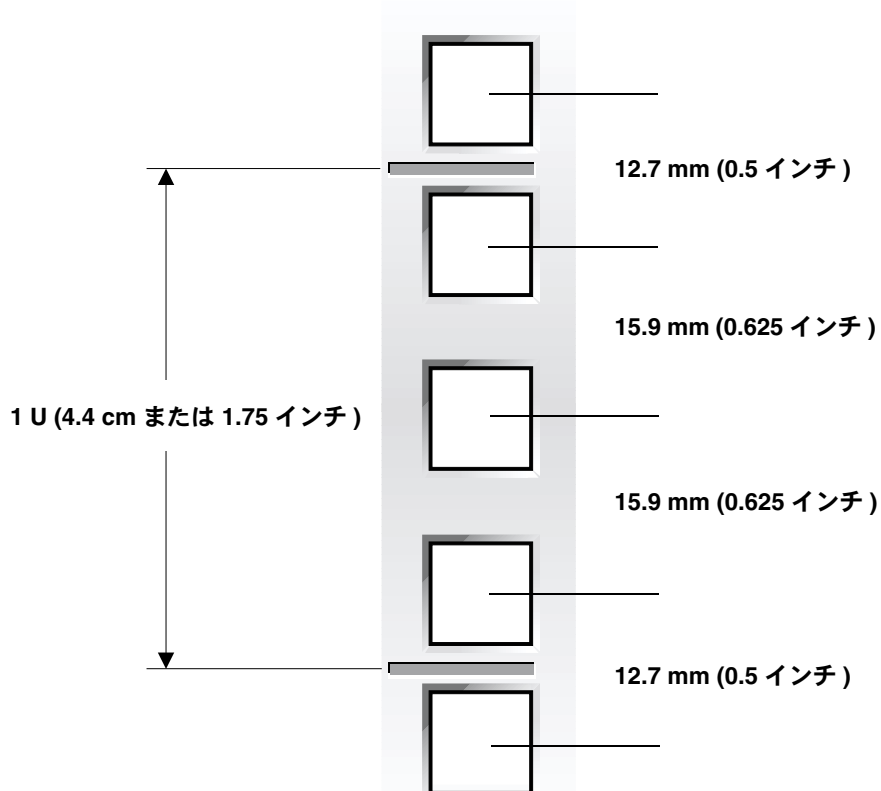
 **警告** : 2 枚の扉は、偶発的に扉が倒れてもだれも怪我しない場所に保管してください。

ラックに印を付ける

ラックに取り付けるシステムごとに 1 U (4.4 cm または 1.75 インチ) の垂直スペースが必要です。Dell のラックキャビネットと EIA-310 規格に適合しているラックキャビネットの前後の垂直レールには、ラックユニットごとに 3 つの穴が一定の間隔で開けられています。1-U スペースの一番上の穴を起点とした穴の中心から中心までの間隔は、15.9 mm、15.9 mm、12.7 mm (0.625 インチ、0.625 インチ、0.5 インチ) となっています (図 5-3 参照)。Dell 以外のメーカーのラックでは、穴の形が円形または正方形の場合があります。

メモ: Dell PowerEdge™ 4210 ラックキャビネットの垂直レールには、水平のラインと数字により 1-U 刻みで印が付いています。ラックの垂直レールに付いているこの数字をメモしておいてもよいでしょう。ラックに印を付けたり、テープを貼る必要はありません。この方法で作業を行う場合は、「RapidRails スライドアセンブリの取り付け」に進んでください。

図 5-3.1 ラックユニット



ラックに部品を取り付ける際の要件については、Dell Rack Advisor ソフトウェアで詳しく説明しています。ソフトウェアは Dell の Web サイトで入手できます。

<http://support.jp.dell.com>

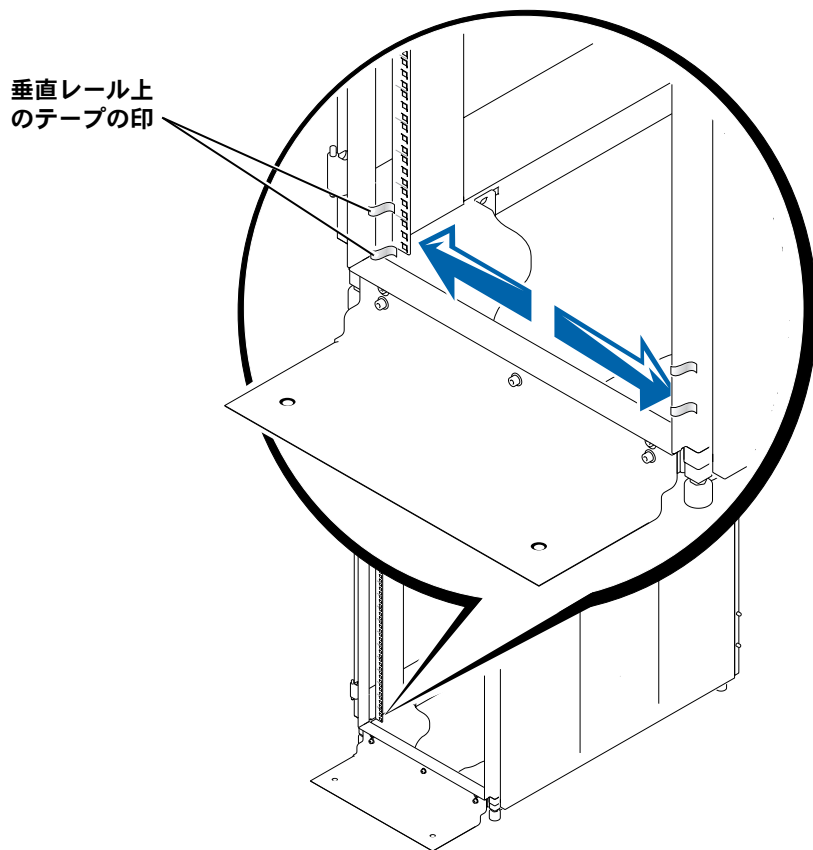
⚠ 警告 : 複数のシステムを取り付ける場合は、ラックの最下段に 1 基目のシステム取り付けられるように、スライドアセンブリを取り付けてください。

次の手順に従って、ラックに印を付けます。


- 1 前部垂直レール上で、ラックキャビネットに取り付けるシステムの底部の位置を決め、印を付けます。

1-U スペースの底部は、間隔が狭い 2 つの穴にある金属の部分の真ん中になります (ラックキャビネットによっては水平なラインが刻まれている場合があります。図 5-3 を参照してください。)
- 2 初めの印から 4.4 cm (1.75 インチ) 上の位置 (EIA-310 規格に適合するラックの場合は 3 個上の穴) に印を付けます。次に、前部垂直レールにマジックペンやマスキングテープで印を付けます。(穴を数えている場合は、一番上の穴のすぐ上に印を付けます。)。この印もしくはテープは、垂直レール上でシステムの上端が収まる位置を表します (図 5-4 を参照してください)。

図 5-4. 垂直レールに印を付ける



RapidRails スライドアセンブリの取り付け

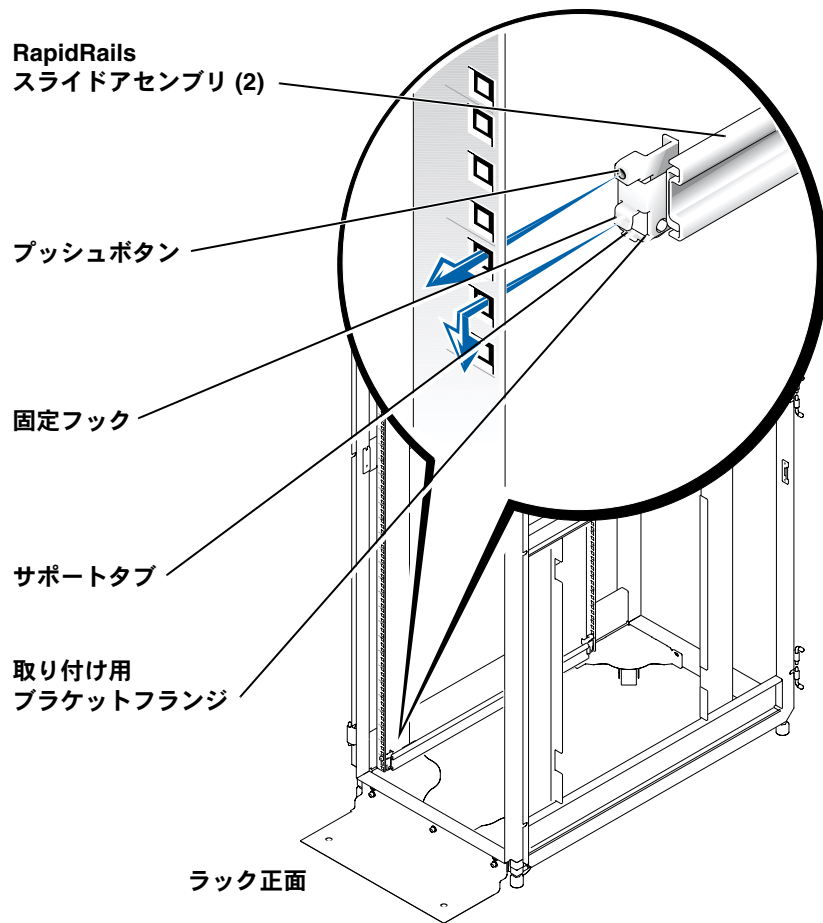
 **メモ** : スライドアセンブリに内側レールが取り付けられている場合は、この手順を実行する前にそれらを取り外してください。

- 1 ラックキャビネットの正面から、RapidRails のスライドアセンブリの一方を挿入し、垂直レールに付けた印またはテープの間に取り付け用ブラケットのフランジをセットできるように位置を調整します (図 5-4 参照)。


スライドアセンブリの取り付け用ブラケットフランジの中央にある固定フックが、垂直レールに付けた印の間の中央の穴に入るようにします。

- 2 スライドアセンブリを前に押し固定フックを垂直レールの正方形の穴にそれぞれ入れ、取り付け用ブラケットのフランジを下に押し固定フックを正方形の穴にはめ込みます。完全にはまると、青いプッシュボタンが飛び出してカチッという音がします。
- 3 キャビネットの背面から、取り付け用ブラケットのフランジを後ろに引いて固定フックを正方形の穴にそれぞれ入れ、フランジを下に押し固定フックを正方形の穴にはめ込みます。完全にはまると、青いプッシュボタンが飛び出してカチッという音がします。
- 4 ラックの反対側のもう 1 つのスライドアセンブリについて、手順 1 から 3 を繰り返します。
- 5 左右の垂直レールで、取り付け用レールが同じ位置に取り付けられていることを確認します。

図 5-5. RapidRails スライドアセンブリの取り付け



VersaRails スライドアセンブリの取り付け

 **メモ** : スライドアセンブリに内側レールが取り付けられている場合は、この手順を実行する前にそれらを取り外してください。

- 1 ラックキャビネットの正面から、VersaRails のスライドアセンブリの一方を挿入し、垂直レールに付けた印またはテープの間 (あるいは番号の位置) に取り付け用ブラケットのフランジをセットできるように位置を調整します (図 5-4 参照)。

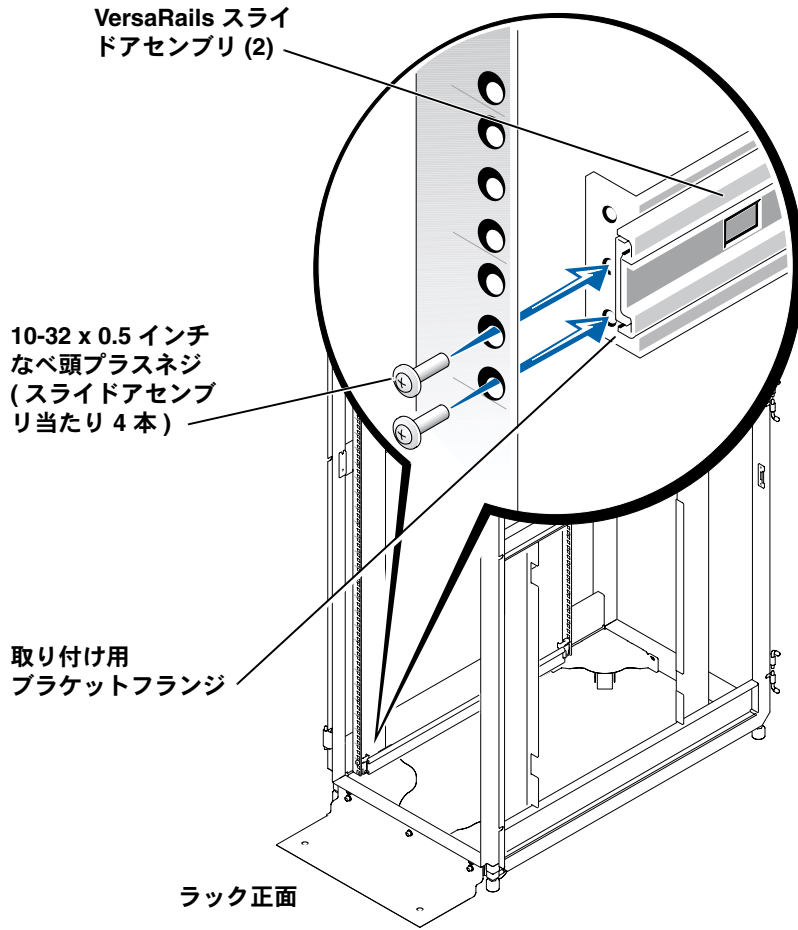
取り付け用ブラケット前部にある 3 個の穴が、垂直レールに付けた印の間 (または選んでおいた番号の位置) にある 3 個の穴と合うようにしてください。

- 2 10-32 x 0.5 インチなべ頭プラスネジを 2 本、取り付け用フランジの中央と底部の穴に差し込み、スライドアセンブリを前部垂直レールに固定します (図 5-6 参照)。
- 3 キャビネットの背面から、取り付け用ブラケットのフランジを後ろに引いて、取り付け用の穴と後部垂直レールの穴をそれぞれ合わせます。
- 4 ラックの穴が正方形の場合は、10-32 x 0.5 インチなべ頭プラスネジを 2 本、取り付け用フランジの中央と底部の穴に差し込み、スライドアセンブリを後部垂直レールに固定します。

ラックの穴が円形の場合は、10-32 x 0.5 インチなべ頭プラスネジを 1 本、取り付け用フランジの中央の穴に差し込み、スライドアセンブリを後部垂直レールに固定します。

- 5 ラックの反対側のもう 1 つのスライドアセンブリについて、手順 1 から 4 を繰り返します。
- 6 左右の垂直レールで、取り付け用レールが同じ位置に取り付けられていることを確認します。

図 5-6. VersaRails スライドアセンブリの取り付け



内側レールの取り付け

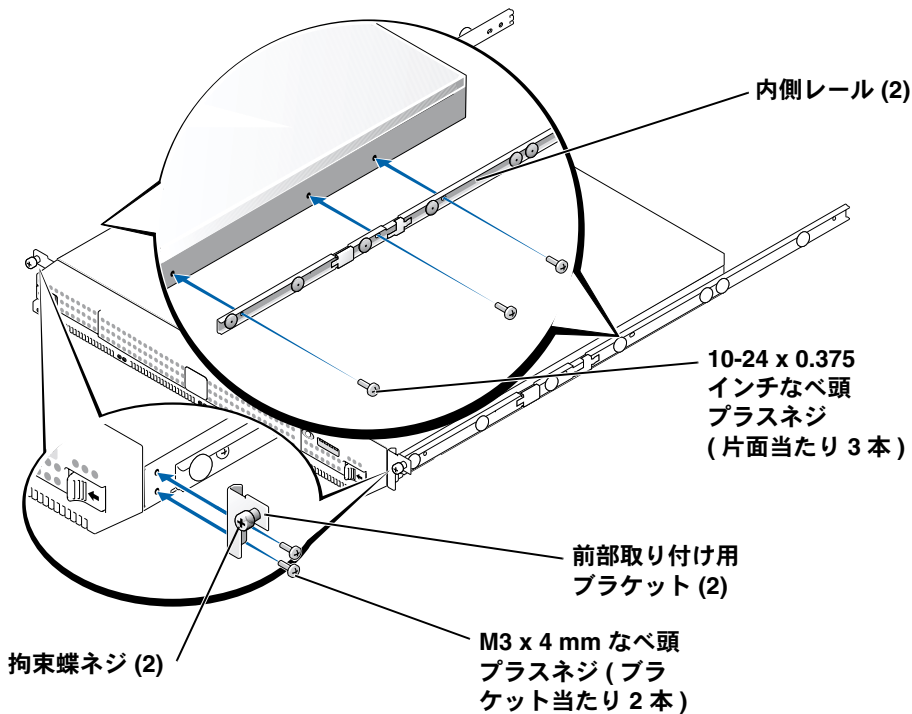
システムの両側にスライドレールを取り付けるには、次の手順を実行します。

⚠ 警告： 取り付けの完了したシステムは重くなります。傷害事故が発生するのを避けるため、一人でシステムを移動させようとししないでください。

- 1 内側ラックをシステムシャーシの側面に沿わせませ (図 5-7 参照)。
- 2 10-24 x 0.375 インチのなべ頭プラスネジ 3 本を使って、システムシャーシの側面に内側レールを取り付けます (図 5-7 参照)。
- 3 M3 x 4 mm なべ頭プラスネジ 2 本を使って、シャーシの前方左側および前方右側に前面取り付け用ブラケットをそれぞれ固定します (図 5-7 参照)。

前面取り付け用ブラケットには、それぞれのブラケットをシャーシの正面から見てどちら側に取り付けるかを表す、**L** (左側) または **R** (右側) の印が付いています。

図 5-7. 内側レールの取り付け



ラックへのシステムの取り付け

⚠ 警告: 複数のシステムを取り付ける場合は、1基目のシステムをラックの最下段の位置に取り付けてください。

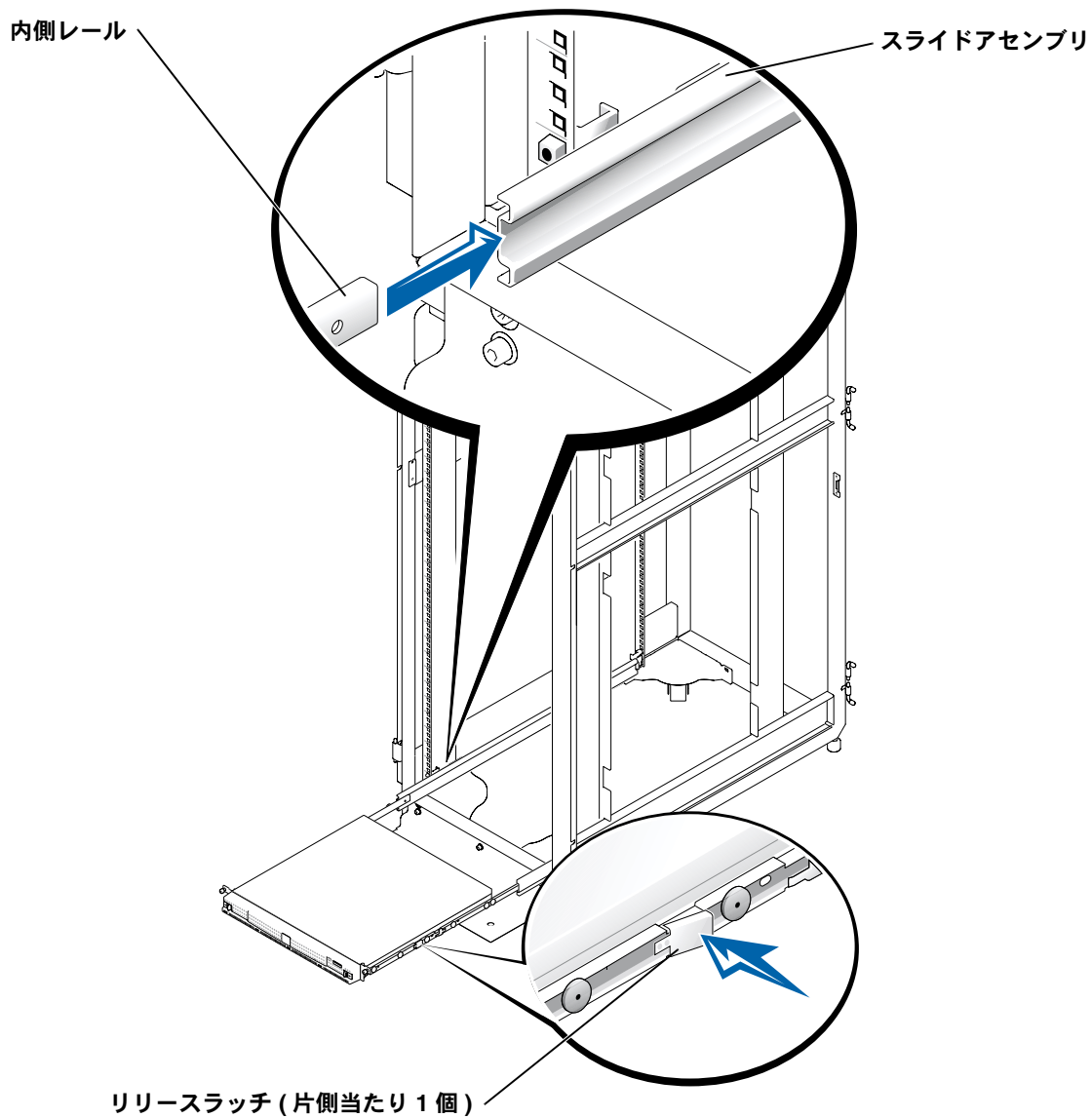
⚠ 警告: 一度に複数のコンポーネントをラックから引き出さないようにしてください。

- 1 スライドアセンブリの両側を持ち、伸びきってロックする位置までラックから引き出します。

⚠ 警告: システムの大きさと重さを考慮して、決して1人でラックのスライドアセンブリにシステムを取り付けようとしないでください。

- 2 システムを持ち上げて、引き出したスライドに載せます
- 3 システムの側面に取り付けた内側レールと、開いたスライドアセンブリの位置を合わせます (図 5-8 参照)。
- 4 システムが止まるまで、スライドアセンブリにシステムを押し込みます (図 5-8 参照)。
- 5 引き出したスライドのリリースラッチを内側に押し込んで、シャーシをラックに押し当て入れます (図 5-8 参照)。
- 6 正面シャーシパネルの両側に拘束蝶ネジを差し込んで締め付け、システムをラックに固定します。

図 5-8. ラックへのシステムの取り付け



ケーブル処理アームの取り付け

システム背面にケーブル処理アームを取り付けるには、次の手順を実行します。

- 1 ラックキャビネットの背面から、スライドアセンブリを取り付けた垂直レールの右側で開いているねじ穴を探します。
- 2 **RapidRails** キットを取り付けている場合は、ブラケット上部を蝶ネジで固定し、ケーブル処理アームを取り付けます (図 5-9 参照)。

VersaRails キットを取り付けている場合は、ブラケットの中央を蝶ネジで固定し、ケーブル処理アームを取り付けます (図 5-9 参照)。

- 3 ブラケットの蝶ネジを使って、右側の垂直レールの裏側の、スライドアセンブリが取り付けられている位置に、ブラケットを固定します。

蝶ネジは、スライドアセンブリの取り付け後に開いている穴に取り付けることができます。

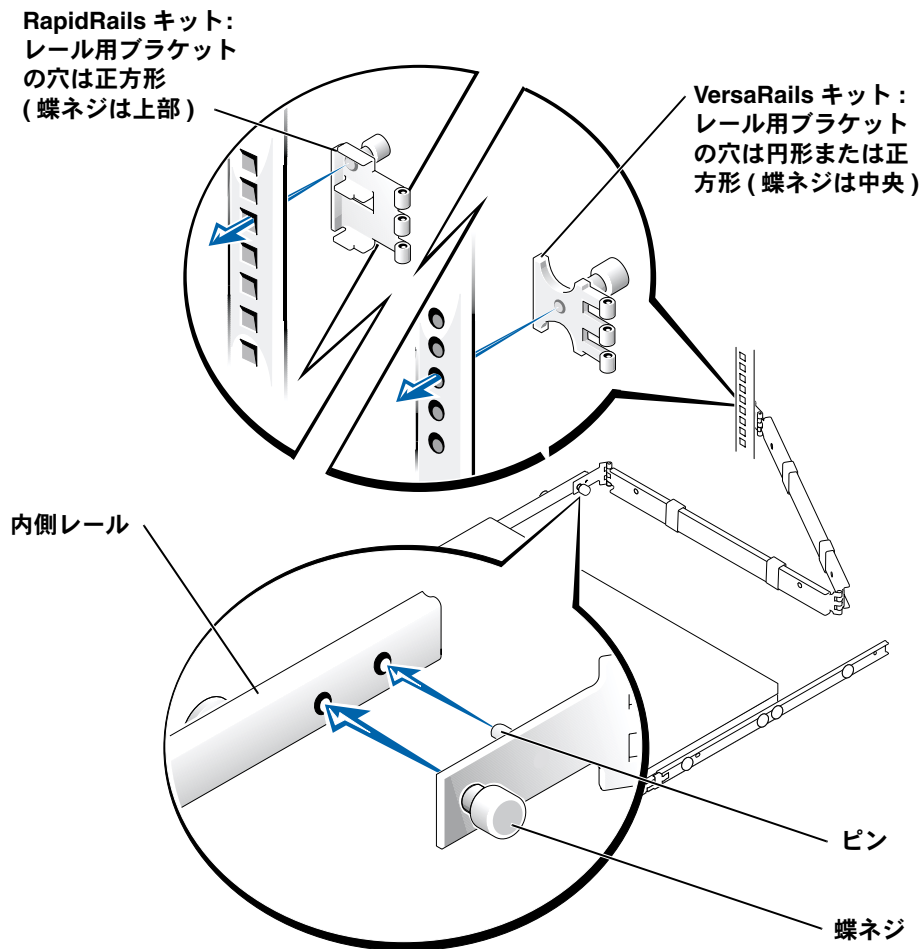
- 4 ケーブル処理アームの固定されていない端 (ピンと拘束蝶ネジがついている方の端) を、システム背面から見て右側の内側レールの裏側と合わせます。
- 5 拘束蝶ネジを使って、ケーブル処理アームを内側レールに固定します (図 5-9 参照)。
- 6 システムの背面パネルのそれぞれのコネクタに、入出力 (I/O) ケーブルを取り付けます。
- 7 残りのケーブルをシステムに接続します。

詳しくは、ご利用のシステムの『Installation and Troubleshooting Guide』と『User's Guide』を参照してください。

- 8 ケーブルをケーブル処理アームに固定します。
 - a ケーブルをシステムに接続した後で、システムの前部を前部垂直レールに固定していた蝶ネジを緩めます。
 - b システムが伸びきる位置まで、システムを引き出します。
 - c ヒンジ位置に若干のたるみを見込みながら、ケーブル処理アームに沿ってケーブルを通し、ケーブル処理アームに付いているマジックテープを使ってケーブル処理アームに固定します。

- 9 システムをラックから引き出しラックに押し戻して、ケーブルが正しく取り付けられているか、ケーブル処理アームの動きで絡まったり、引きつったり、締め付けられなかったりしないか確認します。

図 5-9. ケーブル処理アームの取り付け



メモ : システムを手前に引き出していくと、スライドアセンブリは伸びきったところでロックします。システムをラックに戻すには、スライドの側面にあるリリースラッチを押してロックを外した後、システムをラックに完全に押し込みます (図 5-8 参照)。

ラックの扉の取り付け

扉を取り付ける手順については、Dell 24-U または 42-U ラックキャビネットに付属のマニュアルを参照してください。Dell 以外のメーカーのラックキャビネットの場合は、メーカーのマニュアルを参照して扉を取り付けてください。

⚠ 警告: ラックキャビネットの扉の大きさと重さを考慮して、取り付けまたは取り外しは1人では行わないでください。

これでラックへのシステムの取り付けは完了です。

索引

D

Dell 以外のラックの要件, 5-6
Dell の Web サイト, 5-9

R

RapidRails キットの内容, 5-2

V

VersaRails
Dell 以外のメーカーのラックの要件, 5-6
キットの内容, 5-4, 5-5
VersaRails キットの内容, 5-4

あ

安全にお使いいただくための注意, 5-1

き

キットの内容
RapidRails, 5-2
VersaRails, 5-5

け

ケーブル処理アーム, 5-18
ケーブルの取り付け, 5-18
取り付け, 5-18
ケーブルの取り付け, 5-18

こ

工具と備品, 5-7

し

システム
ラックへの取り付け, 5-15

す

垂直レール
1 ラックユニット, 5-8
印を付ける, 5-8

と

扉
取り付け, 5-20
取り外し, 5-7

な

内容のリスト
VersaRails キット, 5-4
RapidRails キット, 5-2

ふ

部品の説明図
RapidRails キット, 5-3
VersaRails キット, 5-5

ら

ラック安定用の脚, 5-6
ラック取り付けについての注意, 5-6
ラックに印を付ける, 5-8
ラックへの取り付け
ケーブル処理アーム, 5-18
システム, 5-15, 5-16, 5-17
ラックユニット, 5-8

